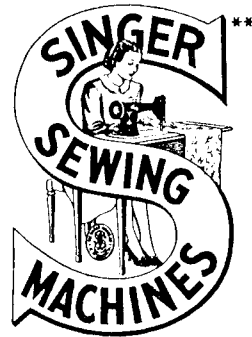


# LIST OF PARTS



## SINGER\*\*

### MACHINE No. 247-1

---

THE SINGER MANUFACTURING COMPANY

## INSTRUCTIONS FOR OILING

To ensure easy running and prevent unnecessary wear of the parts which are in movable contact, the machine requires oiling and when in continuous use, "TYPE B" or "TYPE D" OIL, sold by Singer Sewing Machine Company, should be applied at least twice each day to all oil holes marked "OIL".

"TYPE D" OIL should be used when an oil is desired which will produce a minimum of stain on fabrics, even after a long period of storage.

### SPECIAL NOTICE

The letter "o," marked on oil pipe couplings must always be at the top. This is to insure that the oil spoon, attached to the inner end of each coupling, is open side up.

## INDEX

	Page
Accessories .....	16
Bench Stand .....	16
Belt Guard .....	16
Fittings .....	14
Foot Lifter Parts .....	17
Knee Lifter Parts .....	17
Machine Bases .....	17
Machine Base Oil Drain Jar .....	18
Machine No. 247-1 .....	7
Numerical List of Parts .....	21
Thread Unwinder .....	19

From the library of: Diamond Needle Corp

## INSTRUCTIONS FOR ORDERING

In ordering from this list, use ONLY the part NUMBER in the FIRST column.

The number stamped on a Sewing Machine Part is in every case the number of the single part only.

Every combination of parts sent out as such has its specific number, which, although not stamped on the parts, must be used when ordering the combination.

Each number always indicates the SAME PART in whatever list it appears, or for whatever machine.

The letters after some of the numbers indicate the style of finish only, as follows:

- A—Hardened, Polished, Nickel Plated and Buffed
- A.A—Buffed and Chromium Plated
- A.B—Hardened, Polished, Buffed and Chromium Plated
- A.C—Brown Baking Enamel Finish
- A.D—Gray Baking Enamel Finish
- A.E—Hardened, Bright Rumbled and Nickel Plated
- A.F—Hardened, Bright Rumbled, Nickel Plated, Bright Rumbled and Chromium Plated
- A.G—Alumilite, Plain
- A.H—Alumilite, Dyed
- A.J—Polished, Nickel Plated and Chromium Plated
- A.K—Hardened, Polished, Nickel Plated and Chromium Plated
- A.L—Heat Treated for Toughness
  - B—Polished, Nickel Plated and Buffed
  - C—Hardened Only
- C.R—Hardened and Merlized
  - D—Polished Only
  - E—Soft, Not Polished
  - F—Hardened and Polished
- F.J—Hardened, Polished and Nickel Plated
  - G—Bright Rumbled and Nickel Plated
  - H—Blued
  - J—Nickel Plated Only
  - K—Hardened and Nickel Plated
  - L—Brass Plated
  - M—Oxidized
  - N—Japanned, Dull
  - P—Japanned, Bright
- P.P—Wrinkle Finish
  - R—Merlized
  - S—Cadmium Plated
  - T—Copper Plated
- T.A—Hardened, Polished, Copper and Nickel Plated and Buffed
- T.B—Copper and Nickel Plated and Polished
- T.J—Copper and Nickel Plated Only
- T.K—Hardened, Copper and Nickel Plated
- T.L—Copper and Brass Plated
- T.M—Copper Plated and Oxidized

## INSTRUCTIONS FOR ORDERING—Continued

- U—Zinc Plated
- V—Silver Plated
- W—Polished and Nickel Plated
- X—Black Oxide, for Iron and Steel
- X.C—Hardened and Black Oxide, for Iron or Steel
- Y—Black Nickel Plated Only
- Z—Chromium Plated
- Z.A—Hardened, Polished, Nickel Plated, Buffed and Chromium Plated
- Z.B—Polished, Nickel Plated, Buffed and Chromium Plated
- Z.C—Hardened and Chromium Plated
- Z.D—Polished and Chromium Plated
- Z.G—Bright Rumbled, Nickel Plated, Bright Rumbled and Chromium Plated
- Z.J—Nickel and Chromium Plated
- Z.T—Copper and Chromium Plated

These letters MUST BE USED when they appear in the list; and AFTER the number as in the list.

In this series:

1 to 1500, 50001 to 51500 and 140001 to 142000 are Screw Numbers

1501 to 1800 and 51501 to 51800 are Nut Numbers

1801 to 2000 and 51801 to 52000 are Roller Numbers

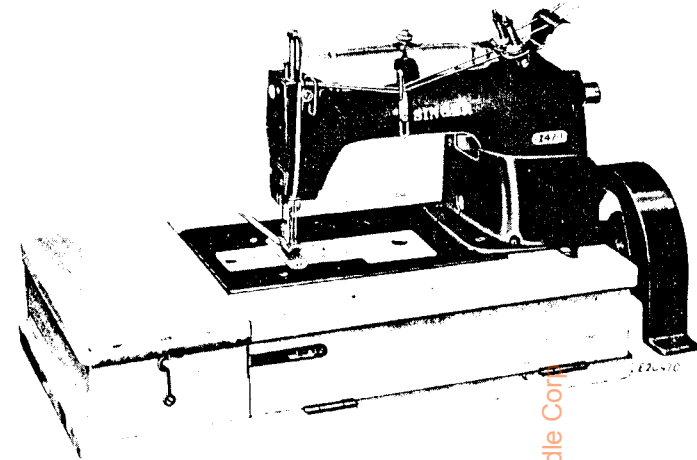
2001 to 50000 and 52001 to 140000 and 142001 to 190000 are Sewing Machine Parts, 190001 and upward are numbers of Electrical Parts.

The figures in the second column refer only to the plates, illustrating the parts, and are NOT TO BE USED in ordering.

Parts marked with an asterisk (\*) are furnished only when repairs are made at factory.

When ordering parts which differ as to Gauge (the distance between seams), the Gauge, as well as the Number, must be given on order.

LIST OF PARTS COMPLETE  
FOR



**MACHINE NO. 247-1**

FOR SEAM COVERING, CLOTH BELTS, NARROW OR TUN-  
NEL BELT LOOPS, HEMMING COTTON, KNIT OR BLANKET  
MATERIAL. TWO NEEDLES, ONE LOOPER. DROP FEED.  
GAUGES 3/16" and 1/4". CLEARANCE UNDER PRESSER  
FOOT 5/32" NEEDLE BAR STROKE 1-5/16" SPEED 3200,  
DEPENDING ON MATERIAL USED AND OPERATION PER-  
FORMED.

No.	Plate	Name
*168110	.....	Arm, upper and lower (solid) with 51422J, 68483, and four 131022.....
68428	25551	Arm Bottom Cover.....
68429	25551	Arm Bottom Cover Gasket (cork).....
1057AL	25551	Arm Bottom Cover Screw (4).....
50608R	25551	Arm Hole Plug Screw, for access to Crank Connecting Rod (upper bearing).....
139017	25551	Arm Hole Plug Screw Washer.....
68350	25597	Arm Oil Cup, for oiling Arm Rock Shaft Front Bearing.....
131864	25598	Arm Oil Cup, for 131866.....
131865	25598	Arm Oil Cup Oil Gauge.....
131866	25598	Arm Oil Cup with Oil Gauge complete, for filling Oil reservoir, Nos. 131864 and 131865.....
131319	25597	Arm Oil Cup Oil Pad for 68350.....
131474	25597	Arm Rock Shaft and Front Crank with 853AL and 1235F.....
1309C	25597	Arm Rock Shaft Adjusting Screw.....
131056	25597	Arm Rock Shaft Adjusting Screw Washer.....
68433	25597	Arm Rock Shaft Bushing (back).....
68435	25597	Arm Rock Shaft Bushing (back) Cap.....
131095	25597	Arm Rock Shaft Bushing (back) Cap Washer (fiber).....
446AL	25597	Arm Rock Shaft Bushing (back) Set Screw.....
68436	25597	Arm Rock Shaft Bushing (intermediate).....

From the library of: Iain and Needle Corp

No.	Plate	Name
423AL	25597	Arm Rock Shaft Bushing (intermediate) Set Screw
131486	25598	Arm Rock Shaft Crank, back (ball bearing, solid) with two 500B3AL
500B3AL	25598	Arm Rock Shaft Crank (back) Set Screw (2)
131456	25597	Arm Rock Shaft Flanged Bushing (front)
453AL	25597	Arm Rock Shaft Flanged Bushing (front) Set Screw
42365	25597	Arm Rock Shaft Oil Pad (braided cotton) for oiling Back Bearing
54969	25597	Arm Rock Shaft Oil Pad (braided cotton) for oiling Intermediate Bearing
1235F	25597	Arm Rock Shaft Oil Plug Screw
168146	25598	Arm Rotary Shaft with 168215
168163	25598	Arm Rotary Shaft 168146 with 131931 and 168010
131366	25598	Arm Rotary Shaft Ball Bearing (back) (2)
131478	25598	Arm Rotary Shaft Ball Bearing (back) Case
131479	25598	Arm Rotary Shaft Ball Bearing (back) Case 131478 with 131369 and three 205C
131526	25598	Arm Rotary Shaft Ball Bearing (back) Case with Ball Bearings complete, Nos. 131479, 131480 and two 131366
131369	25598	Arm Rotary Shaft Ball Bearing (back) Case Cap
205C	25598	Arm Rotary Shaft Ball Bearing (back) Case Cap Screw (3)
131370	25598	Arm Rotary Shaft Ball Bearing (back) Case Position Stud (3)
429C	25598	Arm Rotary Shaft Ball Bearing (back) Case Set Screw
131480	25598	Arm Rotary Shaft Ball Bearing (back) Spacing Collar
131366	25598	Arm Rotary Shaft Ball Bearing (intermediate)
131481	25598	Arm Rotary Shaft Ball Bearing (intermediate) Case
1304C	25598	Arm Rotary Shaft Ball Bearing (intermediate) Case Set Screw
131482	25598	Arm Rotary Shaft Ball Bearing (intermediate) Collar with two 457AL
457AL	25598	Arm Rotary Shaft Ball Bearing (intermediate) Collar Set Screw (2)
131959	25598	Arm Rotary Shaft Bushing (front)
68497	25598	Arm Rotary Shaft Bushing (front) Bearing Oil Pad (wick)
*68483	25598	Arm Rotary Shaft Bushing (front) Bracket with 761E
51422J	25598	Arm Rotary Shaft Bushing (front) Bracket Screw
131028	25598	Arm Rotary Shaft Bushing (front) Oil Plug
761E	25598	Arm Rotary Shaft Bushing (front) Position Screw
131457	25598	Arm Rotary Shaft Bushing (intermediate)
761E	25598	Arm Rotary Shaft Bushing (intermediate) Position Screw
42367	25598	Arm Rotary Shaft Bushing (intermediate) Oil Pad (lower) braided cotton
54218	25598	Arm Rotary Shaft Bushing (intermediate) Oil Pad (upper) braided cotton
168215	25598	Arm Rotary Shaft Oil Wick
144D	25598	Arm Rotary Shaft Screw
131276	25551	Arm Side Cover (oil vent)
131909	25551	Arm Side Cover Cap
131280	25551	Arm Side Cover Cap Position Pin
1289X	25551	Arm Side Cover Cap Screw
131910	25551	Arm Side Cover Cap Spring
131911	25551	Arm Side Cover (oil vent) complete, Nos. 1289X, 131276, 131280, 131909 and 131910
68448	25551	Arm Side Cover Gasket
1057AL	25551	Arm Side Cover Screw (4)
168164	25599	Cloth Plate
68368	25599	Cloth Plate Slide (left)
131050	25599	Cloth Plate Slide (left) Spring
665J	25599	Cloth Plate Slide (left) Spring Screw (2)
131051	25599	Cloth Plate Slide (left) complete, Nos. 68368, 131050 and two 665J

No.	Plate	Name
168165	25599	Cloth Plate Slide (right)
131381	25599	Cloth Plate Slide (right) Spring
665J	25599	Cloth Plate Slide (right) Spring Screw (2)
168166	25599	Cloth Plate Slide (right) complete, Nos. 131381, 168165 and two 665J
168167	25599	Cloth Plate complete, Nos. 131051, 168164 and 168166
1011F	25599	Cloth Plate Screw (left) (2)
50396F	25599	Cloth Plate Screw (right)
168251	25599	Cloth Plate Thread Guard
389F	25599	Cloth Plate Thread Guard Screw (lower)
50473F	25599	Cloth Plate Thread Guard Screw (upper)
*131926	25598	Crank Connecting Rod with two each 1057AL, 51715AL, 131927 and 131928
NOTE: When No. 131926 is required for repairs, the Connecting Rod and Arm Rock Shaft Crank (back) fitted together, will be furnished. All Agency Orders for this part must state the Machine No. for which it is required, in order to obtain correct Needle Bar Stroke.		
131931	25598	Crank Connecting Rod 131926 with 131486
131927	25598	Crank Connecting Rod Cap (lower) Screw Stud (2)
51715AL	25598	Crank Connecting Rod Cap (lower) Screw Stud Nut (2)
131928	25598	Crank Connecting Rod Cap (lower) Screw Stud Nut Lock Washer (2)
1057AL	25598	Crank Connecting Rod Cap (upper) Screw (2)
68460	25600	Face Plate (lower half)
68461	25600	Face Plate (lower half) Gasket (cork)
330J	25600	Face Plate (lower half) Screw (2)
131395	25600	Face Plate (upper half)
29234	25600	Face Plate (upper half) Position Plate
1053E	25600	Face Plate (upper half) Position Plate Screw
51224W	25600	Face Plate (upper half) Thumb Screw
168148	25601	Feed Bar
131730	25601	Feed Bar Feed Dog Seat (adjustable) with 460AL
190J	25601	Feed Bar Feed Dog Seat Screw
22436	25601	Feed Bar Feed Dog Seat Screw Washer
168149	25601	Feed Bar with Feed Dog Leveling Device complete, Nos. 190J, 22436, 131730 and 168148
131197	25601	Feed Bar Hinge Pin (eccentric)
59343	25601	Feed Bar Hinge Pin Collar with 735AL
735AL	25601	Feed Bar Hinge Pin Collar Set Screw
168076	25601	Feed Bar Slide Block (two pieces)
131500	25598	Feed Connecting Rod with 1057AL, 68497, 134260 and two 896AL
168010	25598	Feed Connecting Rod 131500 with 168011
896AL	25598	Feed Connecting Rod Cap Screw (2)
1057AL	25598	Feed Connecting Rod Clamping Screw
68497	25598	Feed Connecting Rod Oil Pad (wick)
134260	25598	Feed Connecting Rod Oil Pad Retainer
140275J	25605	Feed Dog, (See Fittings Page Nos. 14, 15 and 16)
460AL	25601	Feed Dog Screw, for use with Movable Needle Guard
51061AL	25598	Feed Dog Stop Screw
7071	25598	Feed Eccentric Body Set Screw (3)
217J	25598	Feed Eccentric Clamping Washer (2)
138306	25598	Feed Eccentric Clamping Washer Screw (2)
168011	25598	Feed Eccentric Lubricating Pad (wood)
168012	25598	Feed Eccentric (adjustable) complete, Nos. 1103C, 138306 two each 217J, 7071 and three 51061AL
624AL	25598	Feed Lifting Eccentric with three 624AL
1103C	25598	Feed Lifting Eccentric Set Screw (3)
131240	25601	Feed Regulating Screw
168152	25601	Feed Rocking Frame with two 453AL
		Feed Rocking Frame 131240 with 59343, 131197 and 168149

From the library of: Diamond Needle Corp.

No.	Plate	Name
57234	25601	Feed Rocking Frame Hinge Pin
57235	25601	Feed Rocking Frame Hinge Pin Bushing (2)
453AL	25601	Feed Rocking Frame Hinge Pin Bushing Set Screw (2)
453AL	25601	Feed Rocking Frame Hinge Pin Set Screw (2)
168014	25602	Looper
168015	25602	Looper 168014 with 229J and 46104
168016	25602	Looper Carrier
168208	25602	Looper Carrier 168016 with 132583, 168019, 168020, 168021 and 168023
168238	25602	Looper Carrier 168208 with 168017 and 168205
168017	25602	Looper Carrier Shaft with 1231E
168018	25602	Looper Carrier Shaft Crank with two 1057AL
1057AL	25602	Looper Carrier Shaft Crank Clamping Screw (2)
68497	25598	Looper Carrier Shaft Oil Pad (wick)
1231E	25602	Looper Carrier Shaft Plug Screw
1497C	25602	Looper Carrier Shaft Set Screw
168012	25598	Looper (avoiding motion) Eccentric with three 624AL
168019	25602	Looper (avoiding motion) Eccentric Connection with 223C
132583	25602	Looper (avoiding motion) Eccentric Connection Hinge Pin with 132584
132584	25602	Looper (avoiding motion) Eccentric Connection Hinge Pin Oil Wick
223C	25602	Looper (avoiding motion) Eccentric Connection Hinge Pin Set Screw
168020	25602	Looper (avoiding motion) Eccentric Connection Holder
168021	25602	Looper (avoiding motion) Eccentric Connection Holder Screw Bushing
168022	25602	Looper (avoiding motion) Eccentric Connection Holder Screw Bushing Bearing
448AL	25602	Looper (avoiding motion) Eccentric Connection Holder Screw Bushing Set Screw (2)
168023	25602	Looper (avoiding motion) Eccentric Connection Holder Thrust Bearing
624AL	25598	Looper (avoiding motion) Eccentric Set Screw (3)
168024	25602	Looper (driving) Eccentric with three 1036AL
168025	25602	Looper (driving) Eccentric Connection with two each 175C and 140159AL
168205	25602	Looper (driving) Eccentric Connection 168025 with 50138E, 168018, 168024 and 168026
175C	25602	Looper (driving) Eccentric Connection Cap (lower) Screw (2)
140159AL	25602	Looper (driving) Eccentric Connection Cap (upper) Screw (2)
168026	25602	Looper (driving) Eccentric Connection Position Plate
50138E	25602	Looper (driving) Eccentric Connection Position Plate Screw
1036AL	25602	Looper (driving) Eccentric Set Screw (3)
131504	25602	Looper Holder with 1120AL
51119J	25602	Looper Holder Screw
46104	25602	Looper Needle Guard with 46105
46105	25602	Looper Needle Guard Pin
229J	25602	Looper Needle Guard Screw
1120AL	25602	Looper Set Screw
131914	25598	Machine Driving Pulley "V" belt groove, with two 51283A!
51283AL	25598	Machine Driving Pulley Set Screw (2)
131497	25600	Needle Bar (hollow)
		Needle Bar complete, (See Fittings, Page Nos. 14, 15 and 16)
131291	25600	Needle Bar Bushing (lower)
1133E	25600	Needle Bar Bushing (lower) Set Screw
64320	25600	Needle Bar Bushing (upper)
1133E	25600	Needle Bar Bushing (upper) Set Screw
168030	25600	Needle Bar Connecting Link
168031	25600	Needle Bar Connecting Link 168030 with 68489 and 131492
68489	25600	Needle Bar Connecting Link Hinge Stud (hollow)

No.	Plate	Name
1520J	25600	Needle Bar Connecting Link Hinge Stud Nut
131270	25600	Needle Bar Connecting Link Hinge Stud Oil Pad (wick)
861C	25600	Needle Bar Connecting Link Hinge Stud Oil Plug Screw
853AL	25597	Needle Bar Connecting Link Hinge Stud Set Screw
131492	25600	Needle Bar Connecting Stud with 1492E
1492E	25600	Needle Bar Connecting Stud Clamping Screw
168033	25600	Needle Clamp (See Fittings, Page Nos. 14, 15 and 16)
		Needle Clamp Thread Guide
		Needle Guard (movable) (See Fittings, Page Nos. 14, 15 and 16)
68123	25605	Needle Guard (movable) Clamp
50014AL	25600	Needle Set Screw (2)
68492	25562	Oil Pipe (back of arm) with 68497, for oiling Feed Rocking Frame Hinge Pin Front Bearing
68493	25562	Oil Pipe (back of arm) Clamp
176E	25562	Oil Pipe (back of arm) Clamp Screw
68494	25562	Oil Pipe (back of arm) Connection with 68495 and two 198E, for oiling Feed Rocking Frame Hinge Pin Back Bearing
198E	25562	Oil Pipe (back of arm) Connection Cap Screw (2)
68495	25562	Oil Pipe (back of arm) Connection Oil Pad (wick)
68496	25562	Oil Pipe (back of arm) Coupling
1733	25562	Oil Pipe (back of arm) Coupling Nut (brass)
68497	25562	Oil Pipe (back of arm) Oil Pad (wick)
168036	25562	Oil Pipe (front of arm, long) with two 1733
168037	25562	Oil Pipe (front of arm, long) complete, Nos. 168036, 168038 and 168039
131004	25562	Oil Pipe (front of arm, long) Coupling (left)
131798	25562	Oil Pipe (front of arm, long) Coupling (right)
1733	25562	Oil Pipe (front of arm, long) Coupling Nut (brass) (2)
168038	25562	Oil Pipe (front of arm, long) Oil Lead with 1733 and 131003, for oiling Arm Rotary Shaft Front Bearing
168039	25562	Oil Pipe (front of arm, long) Oil Lead with 68497 and 131003, for oiling Feed Connecting Rod
131003	25562	Oil Pipe (front of arm, long) Oil Lead Connection with two 198E, for 168038 and 168039 (2)
198E	25562	Oil Pipe (front of arm, long) Oil Lead Connection Cap Screw (4)
131004	25562	Oil Pipe (front of arm, long) Oil Lead Coupling
1733	25562	Oil Pipe (front of arm, long) Oil Lead Coupling Nut (brass)
68497	25562	Oil Pipe (front of arm, long) Oil Lead Oil Pad (wick)
168040	25562	Oil Pipe (front of arm, short) with 131089 and two 1733
131004	25562	Oil Pipe (front of arm, short) Coupling (2)
1733	25562	Oil Pipe (front of arm, short) Coupling Nut (brass) (2)
131089	25599	Oil Pipe (front of arm, short) Oil Pad (wick)
168097	25599	Oil Splash Guard
330J	25599	Oil Splash Guard Screw (2)
168042	25599	Oil Splash Guard (side of arm)
54038	25599	Oil Splash Guard (side of arm) Holder
190J	25599	Oil Splash Guard (side of arm) Holder Screw
217J	25599	Oil Splash Guard (side of arm) Screw
131912	25600	Presser Bar (hollow)
131006	25600	Presser Bar Bushing (lower)
1133E	25600	Presser Bar Bushing (lower) Set Screw
38456	25600	Presser Bar Bushing (upper)
1133E	25600	Presser Bar Bushing (upper) Set Screw
131401	25600	Presser Bar Lifting Bracket with 453AL
11173	25600	Presser Bar Lifting Bracket Guide
453AL	25600	Presser Bar Lifting Bracket Guide Set Screw
453AL	25600	Presser Bar Lifting Bracket Set Screw
131402	25603	Presser Bar Lifting Lever
168043	25603	Presser Bar Lifting Lever Extension
161J	25603	Presser Bar Lifting Lever Extension Screw (2)
802X	25603	Presser Bar Lifting Lever Hinge Screw

No.	Plate	Name
131749	25551	Presser Bar Spring.....
131750	25551	Presser Bar Spring (auxiliary).....
38468	25551	Presser Bar Spring Stud.....
168044	25551	Presser Bar Spring complete, Nos. 269W, 1637J, 131749, 131750 and 131752.....
		Presser Foot (hinged) complete (See Fittings, Page Nos. 14, 15 and 16).....
176J	25605	Presser Foot Screw.....
269W	25551	Pressure Regulating Thumb Screw.....
1637J	25551	Pressure Regulating Thumb Screw Lock Nut.....
131752	25551	Pressure Regulating Thumb Screw Washer.....
131012	25603	Tension (under thread) Bracket.....
691F	25603	Tension (under thread) Bracket Screw (2).....
2102	25603	Tension (under thread) Disc (2).....
51570C	25603	Tension (under thread) Regulating Thumb Nut.....
140113C	25603	Tension (under thread) Screw Stud.....
131809		Tension (under thread) Screw Stud 140113C with 51570C.....
131740	25603	Tension (under thread) Spring.....
59537	25603	Tension (under thread) Spring Bushing (large).....
59538	25603	Tension (under thread) Spring Bushing (small).....
131696	25603	Tension (under thread) Thread Guide.....
54070	25603	Tension (upper thread) Bracket.....
376J	25603	Tension (upper thread) Bracket Screw.....
2102	25603	Tension (upper thread) Disc (4).....
51570C	25603	Tension (upper thread) Regulating Thumb Nut.....
32572	25603	Tension (upper thread) Releasing Disc (2).....
54988	25603	Tension (upper thread) Releasing Pin (2).....
54071	25603	Tension (upper thread) Releasing Shaft.....
54047	25603	Tension (upper thread) Releasing Shaft Crank with 624AL.....
54048	25603	Tension (upper thread) Releasing Shaft Crank Link.....
624AL	25603	Tension (upper thread) Releasing Shaft Crank Set Screw.....
68261	25603	Tension (upper thread) Releasing Shaft Spring.....
316C	25603	Tension (upper thread) Releasing Shaft Stop Screw.....
1547J	25603	Tension (upper thread) Releasing Shaft Stop Screw Nut.....
50326C	25603	Tension (upper thread) Screw Stud (2).....
59539		Tension (upper thread) Screw Stud 50326C with 51570C (2).....
131741	25603	Tension (upper thread) Spring (2).....
59537	25603	Tension (upper thread) Spring Bushing (large) (2).....
59538	25603	Tension (upper thread) Spring Bushing (small) (2).....
54279	25603	Tension (upper thread) Thread Guide (2).....
168161	25603	Tension (upper thread) Thread Separator.....
53225	25603	Thread (under) Eyelet (back).....
190J	25603	Thread (under) Eyelet (back) Screw.....
168049	25598	Thread (under) Nipper Cam with 889AL.....
889AL	25598	Thread (under) Nipper Cam Set Screw.....
38210	25604	Thread (under) Nipper Spring (lower).....
38211	25604	Thread (under) Nipper Spring (upper).....
46247	25604	Thread (under) Nipper Spring (upper) Stop.....
176J	25604	Thread (under) Nipper Spring Screw.....
168051	25598	Thread (under) Take-up (left) with three 50150AL.....
50150AL	25598	Thread (under) Take-up (left) Set Screw (3).....
168052	25604	Thread (under) Take-up (left) Stripper.....
168053	25604	Thread (under) Take-up (left) Stripper Bracket.....
176J	25604	Thread (under) Take-up (left) Stripper Bracket Screw (2).....
51323J	25604	Thread (under) Take-up (left) Stripper Screw.....
17022	25604	Thread (under) Take-up (left) Stripper Screw Washer.....
131421	25604	Thread (under) Take-up (left) Thread Guide (left).....
131422	25604	Thread (under) Take-up (left) Thread Guide (right).....
140180J	25604	Thread (under) Take-up (left) Thread Guide Screw (2).....
7071	25604	Thread (under) Take-up (left) Thread Guide Screw Washer (2).....
168056	25598	Thread (under) Take-up (right).....
220E	25598	Thread (under) Take-up (right) Screw (2).....

No.	Plate	Name
168057	25604	Thread (under) Take-up (right) Stripper.....
168058	25604	Thread (under) Take-up (right) Stripper Bracket.....
207J	25604	Thread (under) Take-up (right) Stripper Bracket Screw (2).....
236J	25604	Thread (under) Take-up (right) Stripper Screw (2).....
168065	25604	Thread (under) Take-up (right) Thread Guide.....
50231W		Thread (under) Take-up (right) Thread Guide Screw.....
17022		Thread (under) Take-up (right) Thread Guide Screw Washer.....
168184	25604	Thread (under) Take-up Stripper Plate.....
131411	25604	Thread (under) Take-up Stripper Plate Bracket.....
168185	25604	Thread (under) Stripper Plate Bracket 131411 with 38210, 38211, 46247, 50231W, 51323J, 131421, 131422, 168052, 168053, 168057, 168058, 168065, 168184, two each 207J, 236J, 7071, 17022, 140180J and three 176J.....
965D	25604	Thread (under) Take-up Stripper Plate Bracket Screw.....
168061	25603	Thread (upper) Eyelet.....
190J	25603	Thread (upper) Eyelet Screw.....
7071	25603	Thread (upper) Eyelet Screw Washer.....
168130	25600	Thread (upper) Take-up with 223J.....
223J	25600	Thread (upper) Take-up Clamping Screw.....
168045	25603	Thread (upper) Take-up (auxiliary).....
131496	25603	Thread (upper) Take-up (auxiliary) Clamp.....
997J	25603	Thread (upper) Take-up (auxiliary) Clamp Screw.....
		Throat Plate, (See Fittings, Page Nos. 14, 15 and 16).....
742F	25605	Throat Plate Screw (2).....

SINGER Needles should be used  
in SINGER Machines  
These Needles and their Containers  
are marked with the  
Company's Trade Mark "SIMANCO.\*\*\*" 1

Needles in Containers marked  
"FOR SINGER MACHINES"  
are NOT SINGER made needles. 2

From the Library of Diamond Needle Co.

**FITTINGS  
For Narrow Belt Loops**

1/4 in. to 1 in. wide,  
finished Belt Loops  
For 3/16 in. and 1/4 in. gauges

No.	Plate	Name
168168	25605	Feed Dog, 25 teeth (16 teeth to the inch)
131497	25605	Needle Bar (hollow)
168169	25605	Needle Bar complete, Nos. 131497, 168033 and 168170
168170	25605	Needle Clamp with two 50014AL for 168169
168033	25605	Needle Clamp Thread Guide
168171	25605	Needle Guard (movable)
50014AL	25605	Needle Set Screw (2)
7298	25605	Presser Foot Hinge Pin
168172	25605	Presser Foot Plate for 168173
36030	25605	Presser Foot Shank
168173	25605	Presser Foot (hinged) complete for 3/16 in. gauge, for 1/4 in. wide finished Belt Loops, for Strip 9/16 in. wide, Nos. 7298, 36030 and 168172
168174	25606	Presser Foot Plate for 168175
168175	25606	Presser Foot (hinged) complete for 3/16 in. and 1/4 in. gauges, for 5/16 in. wide finished Belt Loops, for Strip 11/16 in. wide, Nos. 7298, 36030 and 168174
168176	25606	Presser Foot Plate for 168177
168177	25606	Presser Foot (hinged) complete for 3/16 in. and 1/4 in. gauges, for 3/8 in. wide finished Belt Loops, for Strip 13/16 in. wide, Nos. 7298, 36030 and 168176
168178	25606	Presser Foot Plate for 168179
168179	25606	Presser Foot (hinged) complete for 3/16 in. and 1/4 in. gauges, for 1/2 in. wide finished Belt Loops, for Strip 1 1/16 in. wide, Nos. 7298, 36030 and 168178
168229	25606	Presser Foot Plate for 168230
168230	25606	Presser Foot (hinged) complete for 3/16 in. and 1/4 in. gauges, for 5/8 in. wide finished Belt Loops, for Strips 1 5/16 in. wide, Nos. 7298, 36030 and 168229
168231	25606	Presser Foot Plate for 168232
168232	25606	Presser Foot (hinged) complete for 3/16 in. and 1/4 in. gauges, for 3/4 in. wide finished Belt Loops, for Strips 1 9/16 in. wide, Nos. 7298, 36030 and 168231
168180	25606	Presser Foot Plate for 168181
168181	25606	Presser Foot (hinged) complete for 3/16 in. and 1/4 in. gauges, for 7/8 in. wide finished Belt Loops, for Strips 1 13/16 in. wide, Nos. 7298, 36030 and 168180
168182	25606	Presser Foot Plate for 168183
168183	25606	Presser Foot (hinged) complete for 3/16 in. to 1/4 in. gauges, for 1 in. wide finished Belt Loops, for Strips 2 1/16 in. wide, Nos. 7298, 36030 and 168182
168186	25605	Throat Plate
<b>Belt Loop Attachments on Shank</b>		
121917	25605	Folder on Shank for 121919
121918	25605	Folder Tongue for 121919
226J	25605	Folder Tongue Screw for 121919
121919	25605	Belt Loop Attachment Folder on Shank complete for 1/4 in. to 1/2 in. wide finished Belt Loops, Nos. 226J, 121917 and 121918
160289	25605	Belt Loop Attachment Folder on Shank for 9/16 in. to 1 in. wide finished Belt Loops
NOTE: When ordering Nos. 121919 or 160289, state size of Strip or size of finished Loop.		
1499J	25605	Belt Loop Attachment Screw (2)

**Narrow or Tunnel Belt Loops**

No.	Plate	Name
120710	25605	Edge Folder on Bracket
217J	25605	Edge Folder Screw (2)
121984	25605	Folder Plate
120711	25605	Folder Slide
120712	25605	Folder Slide Guide (2)
121985	25605	Folder Slide Guide Lock Spring
857AL	25605	Folder Slide Guide Lock Spring Screw (2)
50253J	25605	Folder Slide Guide Screw (4)
120715	25605	Strip Folder on Bracket
5944	25605	Strip Folder Position Pin
120716	25605	Strip Folder Position Plate with 5944
217J	25605	Strip Folder Position Plate Screw (2)
335J	25605	Strip Folder Screw (2)
120717	25605	Strip Folder Shank
1425J	25605	Strip Folder Shank Hinge Screw
646J	25605	Strip Folder Stop Screw
121987	25605	Attachment (convertible) complete, Nos. 646J, 1425J, 120710, 120711, 120715, 120716, 120717, 121984, 121985, two each 335J, 857AL, 120712 and four each 217J and 50253J
1474J	25605	Attachment Screw (2)

**Fittings For Plain Seaming and Hemming**

3/16 in. and 1/4 in. gauges

168298	25607	Cloth Plate Slide (right)
131381	25607	Cloth Plate Slide (right) Spring
665J	25607	Cloth Plate Slide (right) Spring Screw (2)
168299	25607	Cloth Plate Slide (right) complete, Nos. 131381, 168298 and two 665J
168296	25607	Feed Dog, 14 teeth (10 teeth to the inch)
131497	25607	Needle Bar (hollow)
168169	25607	Needle Bar complete, Nos. 131497, 168033 and 168170
168170	25607	Needle Clamp with two 50014AL for 168169
168033	25607	Needle Clamp Thread Guide
168171	25607	Needle Guard (movable)
50014AL	25607	Needle Set Screw (2)
26276	25607	Presser Foot Hinge Pin
68257	25607	Presser Foot Plate
54411	25607	Presser Foot Shank
68258	25607	Presser Foot (hinged) complete, Nos. 26276, 54411 and 68257
168297	25607	Throat Plate for 3/16 in. gauge
131872	25607	Throat Plate for 1/4 in. gauge
121920	25607	Edge Guide for Hemming Blanket and Bathing Suit material
121921	25607	Folder Blade for 121928
121922	25607	Folder Block for 121928
121928	25607	Folder on Shank complete for Blanket and Bathing Suit material, Nos. 121921, 121922 and two 1443J
1443J	25607	Folder Screw for 121928 (2)
121929	25607	Edge Folder on Shank for 121931
121930	25607	Edge Folder Leveling Plate for 121931
1425J	25607	Edge Folder Leveling Plate Hinge Screw for 121931
19020	25607	Edge Folder Leveling Plate Hinge Screw Friction Washer for 121931
121931	25607	Edge Folder on Throw-out Shank complete, for Hemming Cotton or Knit Goods, Nos. 1425J, 19020, 121929 and 121930

From the Library of the University of North Carolina



**Fittings For Seam Covering**

1/8 in., 3/16 in. and 1/4 Gauges

No.	Plate	Name
168310	25608	Cloth Plate Slide (right).....
131381	25608	Cloth Plate Slide (right) Spring.....
665J	25608	Cloth Plate Slide (right) Spring Screw (2).....
168311	25608	Cloth Plate Slide (right) complete, Nos. 131381, 168310 and two 665J.....
168254	25608	Feed Dog, 18 teeth (16 teeth to the inch).....
131497	25608	Needle Bar (hollow).....
168169	25608	Needle Bar complete, Nos. 131497, 168033 and 168170.....
168170	25608	Needle Clamp with two 50014AL for 168169.....
168033	25608	Needle Clamp Thread Guide.....
168171	25608	Needle Guard (movable).....
50014AL	25608	Needle Set Screw (2).....
54723	25608	Presser Foot Hinge Block.....
26276	25608	Presser Foot Hinge Pin.....
54423	25608	Presser Foot Plate.....
54424	25608	Presser Foot Shank.....
1080F	25608	Presser Foot Shank Hinge Screw (2).....
54425	25608	Presser Foot (double hinged) complete, Nos. 26276, 54423, 54424, 54723 and two 1080F.....
131246	25608	Throat Plate Body.....
54427	25608	Throat Plate Seam Guide (left).....
229J	25608	Throat Plate Seam Guide (left) Screw.....
54428	25608	Throat Plate Seam Guide (right).....
229J	25608	Throat Plate Seam Guide (right) Screw.....
54426	25608	Throat Plate complete, Nos. 54427, 54428, 131246 and two 229J.....

**ACCESSORIES**

120344	25571	Oiler (copper plated) with 120345.....
120345	25571	Oiler Spout, 4 1/2 in. long.....
120440	25571	Screw Driver (large).....
121108	25571	Screw Driver (small).....
120341	25571	Tweezers (curved).....
17905	25571	Wrench.....
8908	25571	Wrench.....
42089	25571	Wrench.....

**BELT GUARD**

68222	21032	Belt Guard with two wood screws 1 in. No. 12.....
131239	21032	Belt Guard with two wood screws 1 in. No. 12 for fully submerged mounting.....

**BENCH STAND**

FOR MACHINE BASE NO. 131264

WHEN MACHINE IS MOUNTED ON TOP OF TABLE.

79772	.....	Bench Stand with 27998, two each 41538, 126849, three wood screws 1 1/4 in. No. 12, four each 60656, wood screws 1 1/4 in. No. 10 and sixteen wood screws 5/8 in. No. 7.....
126849	25571	Flap Hinge with four wood screws 3/4 in. No. 7 (2).....
27998	25571	Flap Hook and Eye (brass) with wood screw 1/2 in. No. 5.....
126247	.....	Flush Bolt.....
126248	.....	Flush Bolt Plate.....
41538	.....	Flush Bolt with Plate complete, Nos. 126247, 126248 and four brass wood screws 5/8 in. No. 4 (2).....
60656	.....	Hinge (4).....

**FOOT LIFTER PARTS**

No.	Plate	Name
6439	.....	Chain, 36 in. to 45 in., with 56864 and 56865.....
NOTE: When ordering No. 6439, state length required.		
4879	21032	Chain Connecting Link.....
56864	25571	Chain Hook (large).....
56865	25571	Chain Hook (small).....
126249	21032	Treadle.....
4882	21032	Treadle Shaft.....
126250	21032	Treadle Spring.....
150451	21032	Treadle Stand.....
150452	21032	Treadle complete, Nos. 4879, 4882, 126249, 126250, 150451 and two wood screws 1 in. No. 16 F.H.....

**KNEE LIFTER PARTS**

(FURNISHED ONLY WHEN ORDERED)

37563	.....	Chain, length 15 in., with 56864 and 56865.....
56864	25571	Chain Hook (large).....
56865	25571	Chain Hook (small).....
2763	21032	Rock Shaft.....
12242	21032	Rock Shaft Hanger with two wood screws 1 in. No. 10 (2).....
6335	21032	Rock Shaft Knee Arm.....
6336	.....	Rock Shaft Knee Arm complete, Nos. 2766, 2767 and 6335.....
2766	21032	Rock Shaft Knee Arm Hub with 356C.....
356C	21032	Rock Shaft Knee Arm Hub Set Screw.....
2767	21032	Rock Shaft Knee Plate with 356C.....
356C	21032	Rock Shaft Knee Plate Set Screw.....
6337	21032	Rock Shaft Lifting Bracket with two 356C.....
7125	21032	Rock Shaft Lifting Bracket Hook.....
356C	21032	Rock Shaft Lifting Bracket Hook Set Screw.....
356C	21032	Rock Shaft Lifting Bracket Set Screw.....
2770	21032	Rock Shaft Stop Dog with 140219C.....
140219C	21032	Rock Shaft Stop Dog Set Screw.....
23767	21032	Rock Shaft complete, Nos. 2763, 2770, 6336, 6337, 7125 and two 12242.....

**MACHINE BASES**

MACHINE BASE NO. 131264

WHEN MACHINE IS MOUNTED ON TOP OF

TABLE, FOR USE WITH BENCH STAND 79772

131263	21038	Machine Base.....
54477	21038	Machine Base Screw Stud, to fasten Base to Table (3).....
131205	21038	Machine Base Screw Stud, to position Machine on Base (4).....
51576E	21038	Machine Base Screw Stud Nut (3).....
9842	21038	Machine Base Screw Stud Nut Washer (3).....
131022	21038	Machine Base Screw Stud Bushing (rubber) (4).....
131279	21038	Machine Cushion (felt) (4).....
131264	21038	Machine Base complete, Nos. 131263, three each 9842, 51576E, 54477 and four each 131205 and 131279.....
131328	21038	Machine Base and Oil Drain Jar (swinging type) complete, Nos. 131264 and 131268.....

From the library of Diamond Needle Corp.

**MACHINE BASE NO. 131674**

FOR FULLY SUBMERGED INSTALLATION

No.	Plate	Name
131673	25609	Machine Base .....
51428R	25609	Machine Base Bolt with 1778R (4) .....
1778R	25609	Machine Base Bolt Nut (4) .....
126150	25609	Machine Base Bolt Nut Lock Washer (4) .....
69353	.....	Machine Base Bolt complete, Nos. 51428R and 126150 (4) .....
131205	25609	Machine Base Screw Stud to position Machine on base (4) .....
131022	25609	Machine Base Screw Stud Bushing (rubber) (4) .....
131279	25609	Machine Cushion (felt) (4) .....
131674	25609	Machine Base complete, Nos. 131673 and four each 69353, 131205 and 131279 .....
131675	25609	Machine Base and Oil Drain Jar (swinging type) complete, Nos. 131268 and 131674 .....

**MACHINE BASE NO. 131895**

FOR USE WHEN MACHINE IS FITTED FOR BELT LOOPS

131892	25610	Machine Base .....
131893	25610	Machine Base Oil Guard .....
1423J	25610	Machine Base Oil Guard Screw (4) .....
54477	25610	Machine Base Screw Stud to fasten Base to Table (3) .....
131205	25610	Machine Base Screw Stud to position Machine on Base (4) .....
131022	25610	Machine Base Screw Stud Bushing (rubber) (4) .....
51576E	25610	Machine Base Screw Stud Nut (3) .....
9842	25610	Machine Base Screw Stud Nut Washer (3) .....
131279	25610	Machine Cushion (felt) (4) .....
131894	25610	Machine Base with Oil Guard complete, Nos. 131892, 131893, three each 9842, 51576E, 54477 and four each 1423J, 131205 and 131279 .....
131895	25610	Machine Base and Oil Drain Jar (swinging type) complete, Nos. 131268 and 131894 .....

**MACHINE BASE OIL DRAIN JAR**

(SWINGING TYPE)

131961	21038	Jar (glass) 2 1/8 in. diam. at mouth .....
131962	21038	Jar Cap (diam. of recess for jar 2 7/16 in.) .....
131188	21038	Jar Clamp .....
131217	.....	Jar Clamp 131188 with 131189 .....
131189	21038	Jar Clamp Lever .....
1247C	21038	Jar Clamp Lever Hinge Screw (2) .....
131265	21038	Nipple (long) (2) .....
131266	21038	Nipple (short) .....
131267	21038	Nipple Elbow (2) .....
131268	21038	Machine Base Oil Drain Jar (swinging type) complete, Nos. 131217, 131266, 131961, 131962 and two each 1247C, 131265 and 131267 .....

**THREAD UNWINDER**

FOR THREE SPOOLS

151032	25611	Base with 138R and three wood screws 1 in. No. 12 F.H. ....
225257	25611	Spool Rest (for two spools) with 201018C and two each 201528X, 228692 and 228693 .....
225259	25611	Spool Rest (for one spool) with 201018C, 201528X, 228692 and 228693 .....
228692	25611	Spool Pin (3) .....
201528X	.....	Spool Pin Nut (3) .....
228693	.....	Spool Pin Washer (3) .....
151033	25611	Spool Rest Bracket .....
151034	25611	Spool Rest Bracket Rod .....
138R	25611	Spool Rest Bracket Rod Set Screw .....
51276R	.....	Spool Rest Bracket Screw .....
150203	25611	Spool Rest Cushion (felt) (3) .....
201018C	.....	Spool Rest Set Screw (2) .....
151035	25611	Thread Guide (3) .....
1521R	.....	Thread Guide Nut (6) .....
9525	.....	Thread Guide Nut Washer (6) .....
151036	25611	Thread Unwinder complete, Nos. 51276R, 151032, 151033, 151034, 225257, 225259, three each 150203, 151035 and six each 1521R and 9525 .....

**SINGER** Needles should be used  
in **SINGER** Machines  
These Needles and their Containers  
are marked with the  
Company's Trade Mark "**SIMANÇO**" <sup>1</sup>

Needles in Containers marked  
"FOR SINGER MACHINES"  
are **NOT SINGER** made needles. <sup>2</sup>

From the library of: Diamond Needle Corp.

## NUMERICAL LIST OF PARTS

No.	Plate	Name
138R	25611	Thread Unwinder Spool Rest Bracket Rod Set Screw for 151032.....
144D	25598	Arm Rotary Shaft Screw.....
161J	25603	Presser Bar Lifting Lever Extension Screw (2).....
175C	25602	Looper (driving) Eccentric Connection Cap (lower) Screw for 168025 (2).....
176E	25562	Oil Pipe (back of arm) Clamp Screw.....
176J	25605	Presser Foot Screw.....
176J	25604	Thread (under) Nipper Spring Screw for 168185.....
176J	25604	Thread (under) Take-up (left) Stripper Bracket Screw for 168185 (2).....
190J	25601	Feed Bar Feed Dog Seat Screw for 168149.....
190J	25599	Oil Splash Guard (side of arm) Holder Screw.....
190J	25603	Thread (under) Eyelet (back) Screw.....
190J	25603	Thread (upper) Eyelet Screw.....
198E	25562	Oil Pipe (back of arm) Connection Cap Screw for 68494 (2).....
198E	25562	Oil Pipe (front of arm, long) Oil Lead Connection Cap Screw for 131003 (4).....
205C	25598	Arm Rotary Shaft Ball Bearing (back) Case Cap Screw for 131479 (3).....
207J	25604	Thread (under) Take-up (right) Stripper Bracket Screw for 168185 (2).....
217J	25605	Edge Folder Screw for 121987 (2).....
217J	25598	Feed Eccentric Clamping Washer Screw for 168011 (2).....
217J	25599	Oil Splash Guard (side of arm) Screw.....
217J	25605	Strip Folder Position Plate Screw for 121987 (2).....
220E	25598	Thread (under) Take-up (right) Screw (2).....
223C	25602	Looper (avoiding motion) Eccentric Connection Hinge Pin Set Screw for 168019.....
223J	25600	Thread (upper) Take-up Clamping Screw for 168130.....
226J	25605	Belt Loop Attachment Folder Tongue Screw for 121919.....
229J	25602	Looper Needle Guard Screw for 168015.....
229J	25608	Throat Plate Seam Guide (left) Screw for 54426.....
229J	25608	Throat Plate Seam Guide (right) Screw for 54426.....
236J	25604	Thread (under) Take-up (right) Stripper Screw for 168185 (2).....
269W	25551	Pressure Regulating Thumb Screw for 168044.....
316C	25603	Tension (upper thread) Releasing Shaft Stop Screw.....
330J	25600	Face Plate (lower half) Screw (2).....
330J	25599	Oil Splash Guard Screw (2).....
335J	25605	Strip Folder Screw for 121987 (2).....
356C	21032	Knee Lifter Rock Shaft Knee Arm Hub Set Screw for 2766.....
356C	21032	Knee Lifter Rock Shaft Knee Plate Set Screw for 2767.....
356C	21032	Knee Lifter Rock Shaft Lifting Bracket Hook Set Screw for 6337.....
356C	21032	Knee Lifter Rock Shaft Lifting Bracket Set Screw for 6337.....
376J	25603	Tension (upper thread) Bracket Screw.....
389F	25599	Cloth Plate Thread Guard Screw (lower).....
423AL	25597	Arm Rock Shaft Bushing (intermediate) Set Screw.....
429C	25598	Arm Rotary Shaft Ball Bearing (back) Case Set Screw.....
446AL	25597	Arm Rock Shaft Bushing (back) Set Screw.....
448AL	25602	Looper (avoiding motion) Eccentric Connection Holder Screw Bushing Set Screw (2).....
453AL	25597	Arm Rock Shaft Flanged Bushing (front) Set Screw.....
453AL	25601	Feed Rocking Frame Hinge Pin Bushing Set Screw (2).....
453AL	25601	Feed Rocking Frame Hinge Pin Set Screw for 131240 (2).....
453AL	25600	Presser Bar Lifting Bracket Guide Set Screw.....
453AL	25600	Presser Bar Lifting Bracket Set Screw for 131401.....
457AL	25598	Arm Rotary Shaft Ball Bearing (intermediate) Collar Set Screw for 131482 (2).....
460AL	25601	Feed Dog Stop Screw for 131730.....
624AL	25598	Feed Lifting Eccentric Set Screw for 168012 (3).....

No.	Plate	Name
624AL	25598	Looper (avoiding motion) Eccentric Set Screw for 168012 (3)
624AL	25603	Tension (upper thread) Releasing Shaft Crank Set Screw for 54047
646J	25605	Strip Folder Stop Screw for 121987
665J	25599	Cloth Plate Slide (left) Spring Screw for 131051 (2)
665J	25599	Cloth Plate Slide (right) Spring Screw for 168166, 168299 and 168311 (2)
691F	25603	Tension (under thread) Bracket Screw (2)
735AL	25601	Feed Bar Hinge Pin Collar Set Screw for 59343
742F	25605	Throat Plate Screw (2)
761E	25598	Arm Rotary Shaft Bushing (front) Position Screw for 68483
761E	25598	Arm Rotary Shaft Bushing (intermediate) Position Screw
802X	25603	Presser Bar Lifting Lever Hinge Screw
853AL	25597	Needle Bar Connecting Link Hinge Stud Set Screw for 131474
857AL	25605	Folder Slide Guide Lock Spring Screw for 121987 (2)
861C	25600	Needle Bar Connecting Link Hinge Stud Oil Plug Screw
889AL	25598	Thread (under) Nipper Cam Set Screw for 168049
896AL	25598	Feed Connecting Rod Cap Screw for 131500 (2)
965D	25604	Thread (under) Take-up Stripper Plate Bracket Screw
997J	25603	Thread (upper) Take-up (auxiliary) Clamp Screw
1011F	25599	Cloth Plate Screw (left) (2)
1036AL	25602	Looper (driving) Eccentric Set Screw for 168024 (3)
1053E	25600	Face Plate (upper half) Position Plate Screw
1057AL	25551	Arm Bottom Cover Screw (4)
1057AL	25551	Arm Side Cover Screw (4)
1057AL	25598	Crank Connecting Rod Cap (upper) Screw for 131926 (2)
1057AL	25598	Feed Connecting Rod Clamping Screw for 131500
1057AL	25602	Looper Carrier Shaft Crank Clamping Screw for 168018 (2)
1080F	25608	Presser Foot Shank Hinge Screw for 54425 (2)
1103C	25598	Feed Regulating Screw for 168011
1120AL	25602	Looper Set Screw for 131504
1133E	25600	Needle Bar Bushing (lower) Set Screw
1133E	25600	Needle Bar Bushing (upper) Set Screw
1133E	25600	Presser Bar Bushing (lower) Set Screw
1133E	25600	Presser Bar Bushing (upper) Set Screw
1231E	25602	Looper Carrier Shaft Plug Screw for 168017
1235F	25597	Arm Rock Shaft Oil Plug Screw for 131474
1247C	21038	Machine Base Oil Drain Jar Clamp Lever Hinge Screw for 131268 (2)
1289X	25551	Arm Side Cover Cap Screw for 131911
1304C	25598	Arm Rotary Shaft Ball Bearing (intermediate) Case Set Screw
1309C	25597	Arm Rock Shaft Adjusting Screw
1423J	25610	Machine Base Oil Guard Screw for 131894 (4)
1425J	25607	Edge Folder Leveling Plate Hinge Screw for 121931
1425J	25605	Strip Folder Shank Hinge Screw for 121987
1443J	.....	Folder Screw for 121928 (2)
1474J	25605	Attachment Screw (2)
1492E	25600	Needle Bar Connecting Stud Clamping Screw for 131492
1497C	25602	Looper Carrier Shaft Set Screw
1499J	25605	Belt Loop Attachment Screw (2)
1520J	25600	Needle Bar Connecting Link Hinge Stud
1521K	.....	Thread Unwinder Thread Guide Nut for 151036 (6)
1547J	25603	Tension (upper thread) Releasing Shaft Stop Screw Nut
1637J	25551	Pressure Regulating Thumb Screw Lock Nut for 168044
1733	25562	Oil Pipe (back of arm) Coupling Nut (brass)
1733	25562	Oil Pipe (front of arm, long) Coupling Nut (brass) for 168036 (2)
1733	25562	Oil Pipe (front of arm, long) Oil Lead Coupling Nut (brass) for 168038
1733	25562	Oil Pipe (front of arm, short) Coupling Nut (brass) for 168040 (2)

No.	Plate	Name
1778R	25609	Machine Base Bolt Nut for 51428R (4)
2102	25603	Tension (under thread) Disc (2)
2102	25603	Tension (upper thread) Disc (4)
2763	21032	Knee Lifter Rock Shaft for 23767
2766	21032	Knee Lifter Rock Shaft Knee Arm Hub with 356C, for 6336
2767	21032	Knee Lifter Rock Shaft Knee Plate with 356C, for 6336
2770	21032	Knee Lifter Rock Shaft Stop Dog with 140219C, for 23767
4879	21032	Foot Lifter Chain Connecting Link for 150452
4882	21032	Foot Lifter Treadle Shaft for 150452
5944	25605	Strip Folder Position Pin for 120716
6335	21032	Knee Lifter Rock Shaft Knee Arm for 6336
6336	.....	Knee Lifter Rock Shaft Knee Arm complete, for 23767, Nos. 2766, 2767 and 6335
6337	21032	Knee Lifter Rock Shaft Lifting Bracket with two 356C, for 23767
6439	.....	Foot Lifter Chain, 36 in. to 45 in. with 56864 and 56865
7071	.....	NOTE: When ordering No. 6439, state length required.
7071	25604	Feed Eccentric Clamping Washer for 168011 (2)
7071	25604	Thread (under) Take-up (left) Thread Guide Screw Washer for 168185 (2)
7071	25603	Thread (upper) Eyelet Screw Washer
7125	21032	Knee Lifter Rock Shaft Lifting Bracket Hook for 23767
7298	25605	Presser Foot Hinge Pin for 168173, 168175, 168177, 168179, 168181, 168183, 168230 and 168232
8908	25571	Wrench (accessories)
9525	.....	Thread Unwinder Thread Guide Nut Washer for 151036 (6)
9842	21038	Machine Base Screw Stud Nut Washer for 131264 and 131894 (3)
11173	25600	Presser Bar Lifting Bracket Guide
12242	21032	Knee Lifter Rock Shaft Hanger with two wood screws 1 in. No. 10, for 23767 (2)
17022	25604	Thread (under) Take-up (left) Stripper Screw Washer for 168185
17022	.....	Thread (under) Take-up (right) Thread Guide Screw Washer for 168185
17905	25571	Wrench (Accessories)
19020	25607	Edge Folder Leveling Plate Hinge Screw Friction Washer for 121931
22436	25601	Feed Bar Feed Dog Seat Screw Washer for 168149
23767	21032	Knee Lifter Rock Shaft complete, Nos. 2763, 2770, 6336, 6337, 7125 and two 12242
26276	25607	Presser Foot Hinge Pin for 54425 and 68258
27998	25571	Bench Stand Flap Hook and Eye (brass) with wood screw 1/2 in. No. 5, for 79772
29234	25600	Face Plate (upper half) Position Plate
32572	25603	Tension (upper thread) Releasing Disc (2)
36030	25605	Presser Foot Shank for 168173, 168175, 168177, 168179, 168181, 168183, 168230 and 168232
37563	.....	Knee Lifter Chain, length 15 in., with 56864 and 56865
38210	25604	Thread (under) Nipper Spring (lower) for 168185
38211	25604	Thread (under) Nipper Spring (upper) for 168185
38456	25600	Presser Bar Bushing (upper)
38468	25551	Presser Bar Spring Stud
41538	.....	Bench Stand Flush Bolt with Plate complete, for 79772, Nos. 126247, 126248, and four brass wood screws 5/8 in. No. 4 (2)
42089	25571	Wrench (Accessories)
42365	25597	Arm Rock Shaft Oil Pad (braided cotton) for oiling Back Bearing
42367	25598	Arm Rotary Shaft Bushing (intermediate) Oil Pad (lower) braided cotton
46104	25602	Looper Needle Guard with 46105, for 168015
46105	25602	Looper Needle Guard Pin for 46104

No.	Plate	Name
46247	25604	Thread (under) Nipper Spring (upper) Stop for 168185
50014AL	25600	Needle Set Screw for 168170 (2)
50083AL	25598	Arm Rock Shaft Crank (back) Set Screw for 131486 (2)
50138E	25602	Looper (driving) Eccentric Connection Position Plate Screw for 168205
50150AL	25598	Thread (under) Take-up (left) Set Screw for 168051 (3)
50231W		Thread (under) Take-up (right) Thread Guide Screw for 168185
50253J	25605	Folder Slide Guide Screw for 121987 (4)
50326C	25603	Tension (upper thread) Screw Stud for 59539 (2)
50396F	25599	Cloth Plate Screw (right)
50473F	25599	Cloth Plate Thread Guard Screw (upper)
50608R	25551	Arm Hole Plug Screw, for access to Crank Connecting Rod (upper bearing)
51061AL	25598	Feed Eccentric Body Set Screw for 168011 (3)
51119J	25602	Looper Holder Screw
51224W	25600	Face Plate (upper half) Thumb Screw
51276R		Thread Unwinder Spool Rest Bracket Screw for 151036
51283AL	25598	Machine Driving Pulley Set Screw for 131914 (2)
51323J	25604	Thread (under) Take-up (left) Stripper Screw for 168185
51422J	25598	Arm Rotary Shaft Bushing (front) Bracket Screw for 168110
51428R	25609	Machine Base Bolt with 1778R, for 69353 (4)
51570C	25603	Tension (under thread) Regulating Thumb Nut for 131809
51570E	25603	Tension (upper thread) Regulating Thumb Nut for 59539
51576E	21038	Machine Base Screw Stud Nut for 131264 and 131894 (3)
51715AL	25598	Crank Connecting Rod Cap (lower) Screw Stud Nut for 131926 (2)
53225	25603	Thread (under) Eyelet (back)
54038	25599	Oil Splash Guard (side of arm) Holder
54047	25603	Tension (upper thread) Releasing Shaft Crank with 624AL
54048	25603	Tension (upper thread) Releasing Shaft Crank Link
54070	25603	Tension (upper thread) Bracket
54071	25603	Tension (upper thread) Releasing Shaft
54218	25598	Arm Rotary Shaft Bushing (intermediate) Oil Pad (upper) braided cotton
54279	25603	Tension (upper thread) Thread Guide (2)
54411	25607	Presser Foot Shank for 68258
54423	25608	Presser Foot Plate for 54425
54424	25608	Presser Foot Shank for 54425
54425	25608	Presser Foot (double hinged) complete for 1/8 in., 3/16 in. and 1/4 in. gauges, for Seam Covering, Nos. 26276, 54423, 54424, 54723 and two 1080F
54426	25608	Throat Plate complete, for 1/8 in., 3/16 in. and 1/4 in. gauges for Seam Covering, for 168254, Nos. 54427, 54428, 131246 and two 229J
54427	25608	Throat Plate Seam Guide (left) for 54426
54428	25608	Throat Plate Seam Guide (right) for 54426
54477	21038	Machine Base Screw Stud, to fasten Base to Table, for 131264 and 131894 (3)
54723	25608	Presser Foot Hinge Block for 54425
54969	25597	Arm Rock Shaft Oil Pad (braided cotton) for oiling Intermediate Bearing
54988	25603	Tension (upper thread) Releasing Pin (2)
56864	25571	Foot Lifter Chain Hook (large) for 6439
56864	25571	Knee Lifter Chain Hook (large) for 37563
56865	25571	Foot Lifter Chain Hook (small) for 6439
56865	25571	Knee Lifter Chain Hook (small) for 37563
57234	25601	Feed Rocking Frame Hinge Pin
57235	25601	Feed Rocking Frame Hinge Pin Bushing (2)
59343	25601	Feed Bar Hinge Pin Collar with 735AL, for 168152
59537	25603	Tension (under thread) Spring Bushing (large)
59537	25603	Tension (upper thread) Spring Bushing (large) (2)
59538	25603	Tension (under thread) Spring Bushing (small)

No.	Plate	Name
59538	25603	Tension (upper thread) Spring Bushing (small) (2)
59539		Tension (upper thread) Screw Stud 50326C with 51570C (2)
60656		Bench Stand Hinge for 79772 (4)
64320	25600	Needle Bar Bushing (upper)
68123	25605	Needle Guard (movable) Clamp
68222	21032	Belt Guard with two wood screws 1 in. No. 12
68257	25607	Presser Foot Plate for 68258
68258	25607	Presser Foot (hinged) complete, for 3/16 in. and 1/4 in. gauges, for plain seaming and hemming, Nos. 26276, 54411 and 68257
68261	25603	Tension (upper thread) Releasing Shaft Spring
68350	25597	Arm Oil Cup, for oiling Arm Rock Shaft Front Bearing
68368	25599	Cloth Plate Slide (left) for 131051
68428	25551	Arm Bottom Cover
68429	25551	Arm Bottom Cover Gasket (cork)
68433	25597	Arm Rock Shaft Bushing (back)
68435	25597	Arm Rock Shaft Bushing (back) Cap
68436	25597	Arm Rock Shaft Bushing (intermediate)
68448	25551	Arm Side Cover Gasket
68460	25600	Face Plate (lower half)
68461	25600	Face Plate (lower half) Gasket (cork)
*68483		Arm Rotary Shaft Bushing (front) Bracket with 761E, for 168110
68489	25600	Needle Bar Connecting Link Hinge Stud (hollow) for 168031
68492	25562	Oil Pipe (back of arm) with 68497, for oiling Feed Rocking Frame Hinge Pin Front Bearing
68493	25562	Oil Pipe (back of arm) Clamp
68494	25562	Oil Pipe (back of arm) Connection with 68495 and two 198E, for oiling Feed Rocking Frame Hinge Pin Back Bearing
68495	25562	Oil Pipe (back of arm) Connection Oil Pad (wick) for 68494
68496	25562	Oil Pipe (back of arm) Coupling
68497	25598	Arm Rotary Shaft Bushing (front) Bearing Oil Pad (wick)
68497	25598	Feed Connecting Rod Oil Pad (wick) for 131500
68497	25598	Looper Carrier Shaft Oil Pad (wick)
68497	25562	Oil Pipe (back of arm) Oil Pad (wick) for 68492
68497	25562	Oil Pipe (front of arm, long) Oil Lead Oil Pad (wick) for 168039
69353		Machine Base Bolt complete, for 131674, Nos. 51428R and 126150 (4)
79772		Bench Stand with 27998, two each 41538, 126849, three wood screws 1 1/4 in. No. 12, four each 60656, wood screws 1 1/4 in. No. 10 and sixteen wood screws 5/8 in. No. 7, for Machine Base No. 131264 when Machine is mounted on top of Table
120341	25571	Tweezers (curved) Accessories
120344	25571	Oiler (copper plated) with 120345 (Accessories)
120345	25571	Oiler Spout, 4 1/2 in. long for 120344
120440	25571	Screw Driver (large) Accessories
120710	25605	Edge Folder on Bracket for 121987
120711	25605	Folder Slide for 121987
120712	25605	Folder Slide Guide for 121987 (2)
120715	25605	Strip Folder on Bracket for 121987
120716	25605	Strip Folder Position Plate with 5944, for 121987
120717	25605	Strip Folder Shank for 121987
121108	25571	Screw Driver (small) Accessories
121917	25605	Belt Loop Attachment Folder on Shank for 121919
121918	25605	Belt Loop Attachment Folder Tongue for 121919
121919	25605	Belt Loop Attachment Folder on Shank complete for 1/4 in. to 1/2 in. wide finished Belt Loops, Nos. 226J, 121917 and 121918

NOTE: When ordering No. 121919, state size of Strip or size of finished Loop.

No.	Plate	Name
121920	25607	Edge Guide for Hemming Blanket and Bathing Suit material
121921		Folder Blade for 121928
121922		Folder Block for 121928
121928		Folder on Shank complete for Blanket and Bathing Suit material, Nos. 121921, 121922 and two 1443J
121929	25607	Edge Folder on Shank for 121931
121930	25607	Edge Folder Leveling Plate for 121931
121931	25607	Edge Folder on Throw-out Shank complete, for Hemming Cotton or Knit Goods, Nos. 1425J, 19020, 121929 and 121930
121984	25605	Folder Plate for 121987
121985	25605	Folder Slide Guide Lock Spring for 121987
121987	25605	Attachment (convertible) complete, for Narrow or Tunnel Belt Loops, Nos. 646J, 1425J, 120710, 120711, 120715, 120716, 120717, 121984, 121985, two each 335J, 857AL, 120712 and four each 217J and 50253J
126150	25609	Machine Base Bolt Nut Lock Washer for 69353 (4)
126247		Bench Stand Flush Bolt for 41538
126248		Bench Stand Flush Bolt Plate for 41538
126249	21032	Foot Lifter Treadle for 150452
126250	21032	Foot Lifter Treadle Spring for 150452
126849	25571	Bench Stand Flop Hinge with four wood screws 3/4 in. No. 7, for 79772 (2)
131003	25562	Oil Pipe (front of arm, long) Oil Lead Connection with two 198E, for 168038 and 168039 (2)
131004	25562	Oil Pipe (front of arm, long) Coupling (left)
131004	25562	Oil Pipe (front of arm, long) Oil Lead Coupling
131004	25562	Oil Pipe (front of arm, short) Coupling (2)
131006	25600	Presser Bar Bushing (lower)
131012	25603	Tension (under thread) Bracket
131022	21038	Machine Base Screw Stud Bushing (rubber) for 168110 (4)
131028	25598	Arm Rotary Shaft Bushing (front) Oil Plug
131050	25599	Cloth Plate Slide (left) Spring for 131051
131051	25599	Cloth Plate Slide (left) complete, for 168167, Nos. 68368, 131050 and two 665J
131056	25597	Arm Rock Shaft Adjusting Screw Washer
131089		Oil Pipe (front of arm, short) Oil Pad (wick) for 168040
131095	25597	Arm Rock Shaft Bushing (back) Cap Washer (fiber)
131188	21038	Machine Base Oil Drain Jar Clamp for 131217
131189	21038	Machine Base Oil Drain Jar Clamp Lever for 131217
131197	25601	Feed Bar Hinge Pin (eccentric) for 168152
131205	21038	Machine Base Screw Stud, to position Machine on Base for 131264, 131674 and 131894 (4)
131217		Machine Base Oil Drain Jar Clamp 131188 with 131189, for 131268
131239	21032	Belt Guard with two wood screws 1 in. No. 12 for fully submerged mounting
131240	25601	Feed Rocking Frame with two 453AL, for 168152
131246	25608	Throat Plate Body for 54426
131263	21038	Machine Base for 131264
131264	21038	Machine Base complete, for 131328, Nos. 131263, three each 9842, 51576E, 54477 and four each 131205 and 131279
131265	21038	Machine Base Oil Drain Jar Nipple (long) for 131268 (2)
131266	21038	Machine Base Oil Drain Jar Nipple (short) for 131268
131267	21038	Machine Base Oil Drain Jar Nipple Elbow for 131268 (2)
131268	21038	Machine Base Oil Drain Jar (swinging type) complete, for 131328, 131675, and 131895, Nos. 131217, 131266, 131961, 131962 and two each 1247C, 131265 and 131267
131270	25600	Needle Bar Connecting Link Hinge Stud Oil Pad (wick)
131276	25551	Arm Side Cover (oil vent) for 131911

No.	Plate	Name
131279	21038	Machine Cushion (felt) for 131264, 131674 and 131894 (4)
131280	25551	Arm Side Cover Cap Position Pin for 131911
131291	25600	Needle Bar Bushing (lower)
131319	25597	Arm Oil Cup Oil Pad for 68350
131328	21038	Machine Base and Oil Drain Jar (swinging type) complete, for use when Machine is mounted on top of Table, for use with Bench Stand No. 79772, Nos. 131264 and 131268
131366	25598	Arm Rotary Shaft Ball Bearing (back) for 131526 (2)
131366	25598	Arm Rotary Shaft Ball Bearing (intermediate)
131369	25598	Arm Rotary Shaft Ball Bearing (back) Case Cap for 131479
131370	25598	Arm Rotary Shaft Ball Bearing (back) Case Position Stud (3)
131381	25599	Cloth Plate Slide (right) Spring for 168166, 168299 and 168311
131395	25600	Face Plate (upper half)
131401	25600	Presser Bar Lifting Bracket with 453AL
131402	25603	Presser Bar Lifting Lever
131411	25604	Thread (under) Take-up Stripper Plate Bracket for 168185
131421	25604	Thread (under) Take-up (left) Thread Guide (left) for 168185
131422	25604	Thread (under) Take-up (left) Thread Guide (right) for 168185
131456	25597	Arm Rock Shaft Flanged Bushing (front)
131457	25598	Arm Rotary Shaft Bushing (intermediate)
131474	25597	Arm Rock Shaft and Front Crank with 853AL and 1235F
131478	25598	Arm Rotary Shaft Ball Bearing (back) Case for 131479
131479		Arm Rotary Shaft Ball Bearing (back) Case 131478 with 131369 and three 205C, for 131526
131480	25598	Arm Rotary Shaft Ball Bearing (back) Spacing Collar for 131526
131481	25598	Arm Rotary Shaft Ball Bearing (intermediate) Case
131482	25598	Arm Rotary Shaft Ball Bearing (intermediate) Collar with two 457AL
131486	25598	Arm Rock Shaft Crank, back (ball bearing, solid) with two 50083AL, for 131931
131492	25600	Needle Bar Connecting Stud with 1492E, for 168031
131496	25603	Thread (upper) Take-up (auxiliary) Clamp
131497	25600	Needle Bar (hollow) for 168169
131500	25598	Feed Connecting Rod with 1057AL, 68497, 134260 and two 896AL, for 168010
131504	25602	Looper Holder with 1120AL
131526		Arm Rotary Shaft Ball Bearing (back) Case with Ball Bearings complete, Nos. 131479, 131480 and two 131366
131673	25609	Machine Base for 131674
131674	25609	Machine Base complete, for 131675, Nos. 131673 and four each 69353, 131205 and 131279
131675	25609	Machine Base and Oil Drain Jar (swinging type) complete, for fully submerged installation, Nos. 131268 and 131674
131696	25603	Tension (under thread) Thread Guide
131730	25601	Feed Bar Feed Dog Seat (adjustable) with 460AL, for 168149
131740	25603	Tension (under thread) Spring
131741	25603	Tension (upper thread) Spring (2)
131749	25551	Presser Bar Spring for 168044
131750	25551	Presser Bar Spring (auxiliary) for 168044
131752	25551	Pressure Regulating Thumb Screw Washer for 168044
131798	25562	Oil Pipe (front of arm, long) Coupling (right)
131809		Tension (under thread) Screw Stud 140113C with 51570C
131864	25598	Arm Oil Cup for 131866
131865	25598	Arm Oil Cup Oil Gauge for 131866
131866	25598	Arm Oil Cup with Oil Gauge complete, for filling oil reservoir, Nos. 131864 and 131865

No.	Plate	Name
131872	25607	Throat Plate for 1/4 in. gauge, for 168296, for plain seaming and hemming
131892	25610	Machine Base for 131894
131893	25610	Machine Base Oil Guard for 131894
131894	25610	Machine Base with Oil Guard complete, for 131895, Nos. 131892, 131893, three each 9842, 51576E, 54477 and four each 1423J, 131205 and 131279
131895	25610	Machine Base and Oil Drain Jar (swinging type) complete, for use when Machine is fitted for Belt Loops, Nos. 131268 and 131894
131909	25551	Arm Side Cover Cap for 131911
131910	25551	Arm Side Cover Cap Spring for 131911
131911	25551	Arm Side Cover (oil vent) complete, Nos. 1289X, 131276, 131280, 131909 and 131910
131912	25600	Presser Bar (hollow)
131914	25598	Machine Driving Pulley "V" belt groove, with two 51283AL
*131926	25598	Crank Connecting Rod with two each 1057AL, 51715AL, 131927 and 131928, for 131931
NOTE: When No. 131926 is required for repairs, the Connecting Rod and Arm Rock Shaft Crank (back) fitted together, will be furnished. All Agency Orders for this part must state the Machine No. for which it is required, in order to obtain correct Needle Bar Stroke.		
131927	25598	Crank Connecting Rod Cap (lower) Screw Stud for 131926 (2)
131928	25598	Crank Connecting Rod Cap (lower) Screw Stud Nut Lock Washer for 131926 (2)
131931	.....	Crank Connecting Rod 131926 with 131486, for 168163
131959	25598	Arm Rotary Shaft Bushing (front)
131961	21038	Machine Base Oil Drain Jar (glass) 2 1/8 in. diam. at mouth for 131268
131962	21038	Machine Base Oil Drain Jar Cap (diam. of recess for jar 2 7/16 in.) for 131268
132583	25602	Looper (avoiding motion) Eccentric Connection Hinge Pin with 132584, for 168208
132584	25602	Looper (avoiding motion) Eccentric Connection Hinge Pin Oil Wick for 132583
134260	25598	Feed Connecting Rod Oil Pad Retainer for 131500
138306	.....	Feed Eccentric Lubricating Pad (wood) for 168011
139017	25551	Arm Hole Plug Screw Washer
140113C	25603	Tension (under thread) Screw Stud for 131809
140159AL	25602	Looper (driving) Eccentric Connection Cap (upper) Screw for 168025 (2)
140180J	25604	Thread (under) Take-up (left) Thread Guide Screw for 168185 (2)
140219C	21032	Knee Lifter Rock Shaft Stop Dog Set Screw for 2770
140275J	25605	Feed Dog Screw, for use with Movable Needle Guard
150203	25611	Thread Unwinder Spool Rest Cushion (felt) for 151036 (3)
150451	21032	Foot Lifter Treadle Stand for 150452
150452	21032	Foot Lifter Treadle complete, Nos. 4879, 4882, 126249, 126250, 150451 and two wood screws 1 in. No. 16 F.H.
151032	25611	Thread Unwinder Base with 138R and three wood screws 1 in. No. 12 F.H. for 151036
151033	25611	Thread Unwinder Spool Rest Bracket for 151036
151034	25611	Thread Unwinder Spool Rest Bracket Rod for 151036
151035	25611	Thread Unwinder Thread Guide for 151036 (3)
151036	25611	Thread Unwinder complete, for three spools, Nos. 51276R, 151032, 151033, 151034, 225257, 225259, three each 150203, 151035 and six each 1521R and 9525
160289	25605	Belt Loop Attachment Folder on Shank for 9/16 in. to 1 in. wide finished Belt Loops
NOTE: When ordering No. 160289, state size of Strip or size of finished Loop.		
168010	.....	Feed Connecting Rod 131500 with 168011, for 168163

No.	Plate	Name
168011	25598	Feed Eccentric (adjustable) complete, for 168010, Nos. 1103C, 138306, two each 217J, 7071 and three 51061AL
168012	25598	Feed Lifting Eccentric with three 624AL
168012	25598	Looper (avoiding motion) Eccentric with three 624AL
168014	25602	Looper for 168015
168015	25602	Looper 168014 with 229J and 46104
168016	25602	Looper Carrier for 168208
168017	25602	Looper Carrier Shaft with 1231E, for 168238
168018	25602	Looper Carrier Shaft Crank with two 1057AL, for 168205
168019	25602	Looper (avoiding motion) Eccentric Connection with 223C, for 168208
168020	25602	Looper (avoiding motion) Eccentric Connection Holder for 168208
168021	25602	Looper (avoiding motion) Eccentric Connection Holder Screw Bushing for 168208
168022	25602	Looper (avoiding motion) Eccentric Connection Holder Screw Bushing Bearing
168023	25602	Looper (avoiding motion) Eccentric Connection Holder Thrust Bearing for 168208
168024	25602	Looper (driving) Eccentric with three 1036AL, for 168205
168025	25602	Looper (driving) Eccentric Connection with two each 175C and 140159AL, for 168205
168026	25602	Looper (driving) Eccentric Connection Position Plate for 168205
168030	25600	Needle Bar Connecting Link for 168031
168031	.....	Needle Bar Connecting Link 168030 with 68489 and 131492
168033	25600	Needle Clamp Thread Guide for 168169
168036	25562	Oil Pipe (front of arm, long) with two 1733, for 168037
168037	.....	Oil Pipe (front of arm, long) complete, Nos. 168036, 168038 and 168039
168038	25562	Oil Pipe (front of arm, long) Oil Lead with 1733 and 131003, for oiling Arm Rotary Shaft Front Bearing, for 168037
168039	25562	Oil Pipe (front of arm, long) Oil Lead with 68497 and 131003, for oiling Feed Connecting Rod, for 168037
168040	25562	Oil Pipe (front of arm, short) with 131089 and two 1733
168042	25599	Oil Splash Guard (side of arm)
168043	25603	Presser Bar Lifting Lever Extension
168044	25551	Presser Bar Spring complete, Nos. 269W, 1637J, 131749, 131750 and 131752
168045	25603	Thread (upper) Take-up (auxiliary)
168049	25598	Thread (under) Nipper Cam with 889AL
168051	25598	Thread (under) Take-up (left) with three 50150AL
168052	25604	Thread (under) Take-up (left) Stripper for 168185
168053	25604	Thread (under) Take-up (left) Stripper Bracket for 168185
168056	25598	Thread (under) Take-up (right)
168057	25604	Thread (under) Take-up (right) Stripper for 168185
168058	25604	Thread (under) Take-up (right) Stripper Bracket for 168185
168061	25603	Thread (upper) Eyelet
168065	25604	Thread (under) Take-up (right) Thread Guide for 168185
168076	25601	Feed Bar Slide Block (two pieces)
168097	25599	Oil Splash Guard
*168110	.....	Arm, upper and lower (solid) with 51422J, 68483 and four 131022
168130	25600	Thread (upper) Take-up with 223J
168146	25598	Arm Rotary Shaft with 168215, for 168163
168148	25601	Feed Bar for 168149
168149	.....	Feed Bar with Feed Dog Leveling Device complete, for 168152, Nos. 190J, 22436, 131730 and 168148
168152	.....	Feed Rocking Frame 131240 with 59343, 131197 and 168149

No.	Plate	Name
168161	25603	Tension (upper thread) Thread Separator
168163		Arm Rotary Shaft 168146 with 131931 and 168010
168164	25599	Cloth Plate for 168167
168165	25599	Cloth Plate Slide (right) for 168166
168166	25599	Cloth Plate Slide (right) complete for 168167, Nos. 131381, 168165 and two 665J
168167	25599	Cloth Plate complete, Nos. 131051, 168164 and 168166
168168	25605	Feed Dog, 25 teeth (16 teeth to the inch), for 3/16 in. and 1/4 in. gauges, for 168186
168169	25605	Needle Bar complete, Nos. 131497, 168033 and 168170
168170	25600	Needle Clamp with two 50014AL, for 168169
168171	25605	Needle Guard (movable)
168172	25605	Presser Foot Plate for 168173
168173	25605	Presser Foot (hinged) complete for 3/16 in. gauge, for 1/4 in. wide finished Belt Loops, for Strip 9/16 in. wide, Nos. 7298, 36030 and 168172
168174	25606	Presser Foot Plate for 168175
168175	25606	Presser Foot (hinged) complete for 3/16 in. and 1/4 in. gauges, for 5/16 in. wide finished Belt Loops, for Strip 11/16 in. wide, Nos. 7298, 36030 and 168174
168176	25606	Presser Foot Plate for 168177
168177	25606	Presser Foot (hinged) complete for 3/16 in. and 1/4 in. gauges, for 3/8 in. wide finished Belt Loops, for Strip 13/16 in. wide, Nos. 7298, 36030 and 168176
168178	25606	Presser Foot Plate for 168179
168179	25606	Presser Foot (hinged) complete for 3/16 in. and 1/4 in. gauges, for 1/2 in. wide finished Belt Loops, for Strip 1 1/16 in. wide, Nos. 7298, 36030 and 168178
168180	25606	Presser Foot Plate for 168181
168181	25606	Presser Foot (hinged) complete for 3/16 in. and 1/4 in. gauges, for 7/8 in. wide finished Belt Loops, for Strips 1 13/16 in. wide, Nos. 7298, 36030 and 168180
168182	25606	Presser Foot Plate for 168183
168183	25606	Presser Foot (hinged) complete for 3/16 in. to 1/4 in. gauges, for 1 in. wide finished Belt Loops, for Strips 2 1/16 in. wide, Nos. 7298, 36030 and 168182
168184	25604	Thread (under) Take-up Stripper Plate for 168185
168185	25604	Thread (under) Stripper Plate Bracket 131411 with 38210, 38211, 46247, 50231W, 51323J, 131421, 131422, 168052, 168053, 168057, 168058, 168065, 168184, two each 207J, 236J, 7071, 17022, 140180J and three 176J
168186	25605	Throat Plate for 168168
168205		Looper (driving) Eccentric Connection 168025 with 50138E, 168018, 168024 and 168026, for 168238
168208		Looper Carrier 168016 with 132583, 168019, 168020, 168021 and 168023, for 168238
168215	25598	Arm Rotary Shaft Oil Wick for 168146
168229	25606	Presser Foot Plate for 168230
168230	25606	Presser Foot (hinged) complete for 3/16 in. and 1/4 in. gauges, for 5/8 in. wide finished Belt Loops, for Strips 1 5/16 in. wide, Nos. 7298, 36030 and 168229
168231	25606	Presser Foot Plate for 168232
168232	25606	Presser Foot (hinged) complete for 3/16 in. and 1/4 in. gauges, for 3/4 in. wide finished Belt Loops, for Strips 1 9/16 in. wide, Nos. 7298, 36030 and 168231
168238		Looper Carrier 168208 with 168017 and 168205
168251	25599	Cloth Plate Thread Guard
168254	25608	Feed Dog, 18 teeth (16 teeth to the inch) for 1/8 in., 3/16 in. and 1/4 in. gauges, for Seam Covering, for 54426
168296	25607	Feed Dog, 14 teeth (10 teeth to the inch) for 131872 and 168297, for plain seaming and hemming

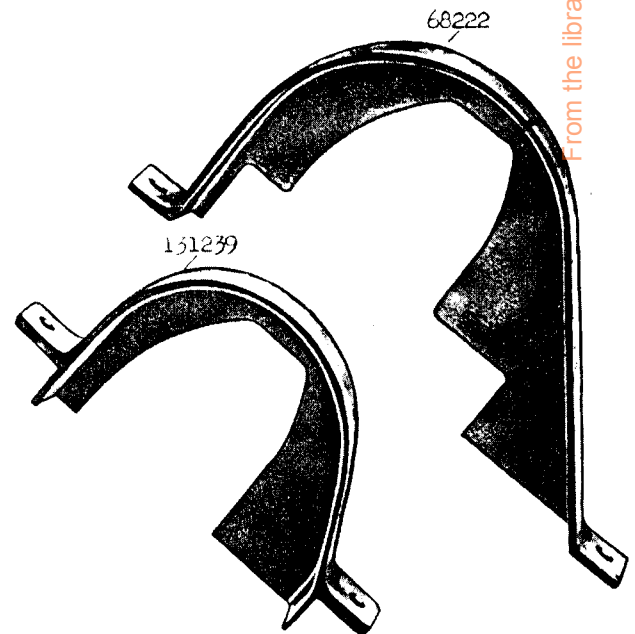
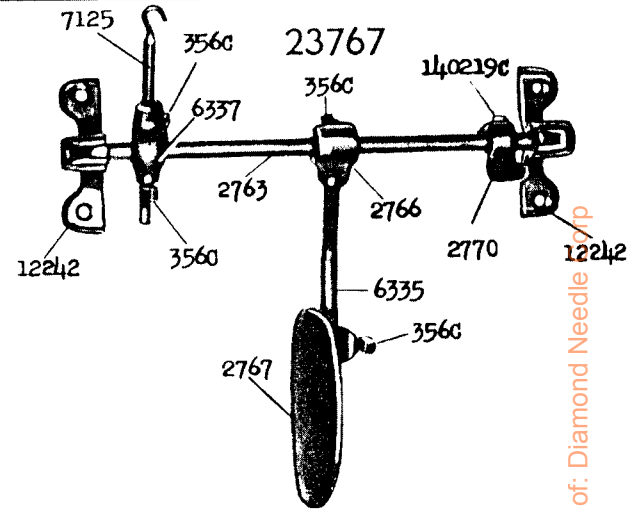
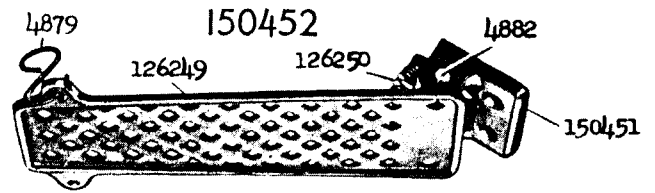
No.	Plate	Name
168297	25607	Throat Plate for 3/16 in. gauge, for 168296, for plain seaming and hemming
168298	25607	Cloth Plate Slide (right) for 168299
168299	25607	Cloth Plate Slide (right) complete, for plain seaming and hemming, Nos. 131381, 168298 and two 665J
168310	25608	Cloth Plate Slide (right) for 168311
168311	25608	Cloth Plate Slide (right) complete for 1/8 in., 3/16 in. and 1/4 in. gauges, for Seam Covering, Nos. 131381, 168310 and two 665J
201018C		Thread Unwinder Spool Rest Set Screw for 225257 and 225259 (2)
201528X		Thread Unwinder Spool Pin Nut for 225257 and 225259 (3)
225257	25611	Thread Unwinder Spool Rest (for two spools) with 201018C and two each 201528X, 228692 and 228693, for 151036
225259	25611	Thread Unwinder Spool Rest (for one spool) with 201018C, 201528X, 228692 and 228693, for 151036
228692	25611	Thread Unwinder Spool Pin for 225257 and 225259 (3)
228693		Thread Unwinder Spool Pin Washer for 225257 and 225259 (3)

**SINGER** Needles should be used  
in **SINGER** Machines  
These Needles and their Containers  
are marked with the  
Company's Trade Mark "SIMANCO:\*\*\*" 1

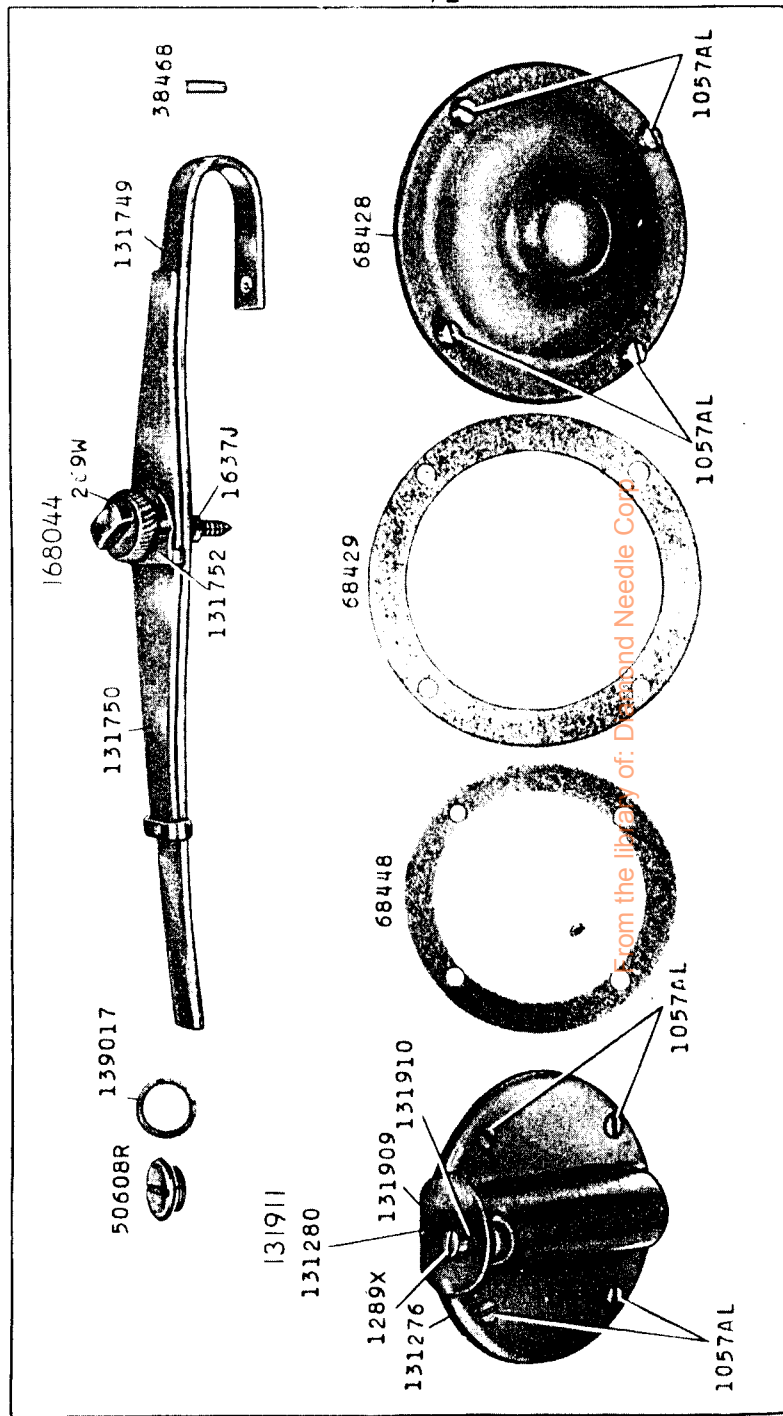
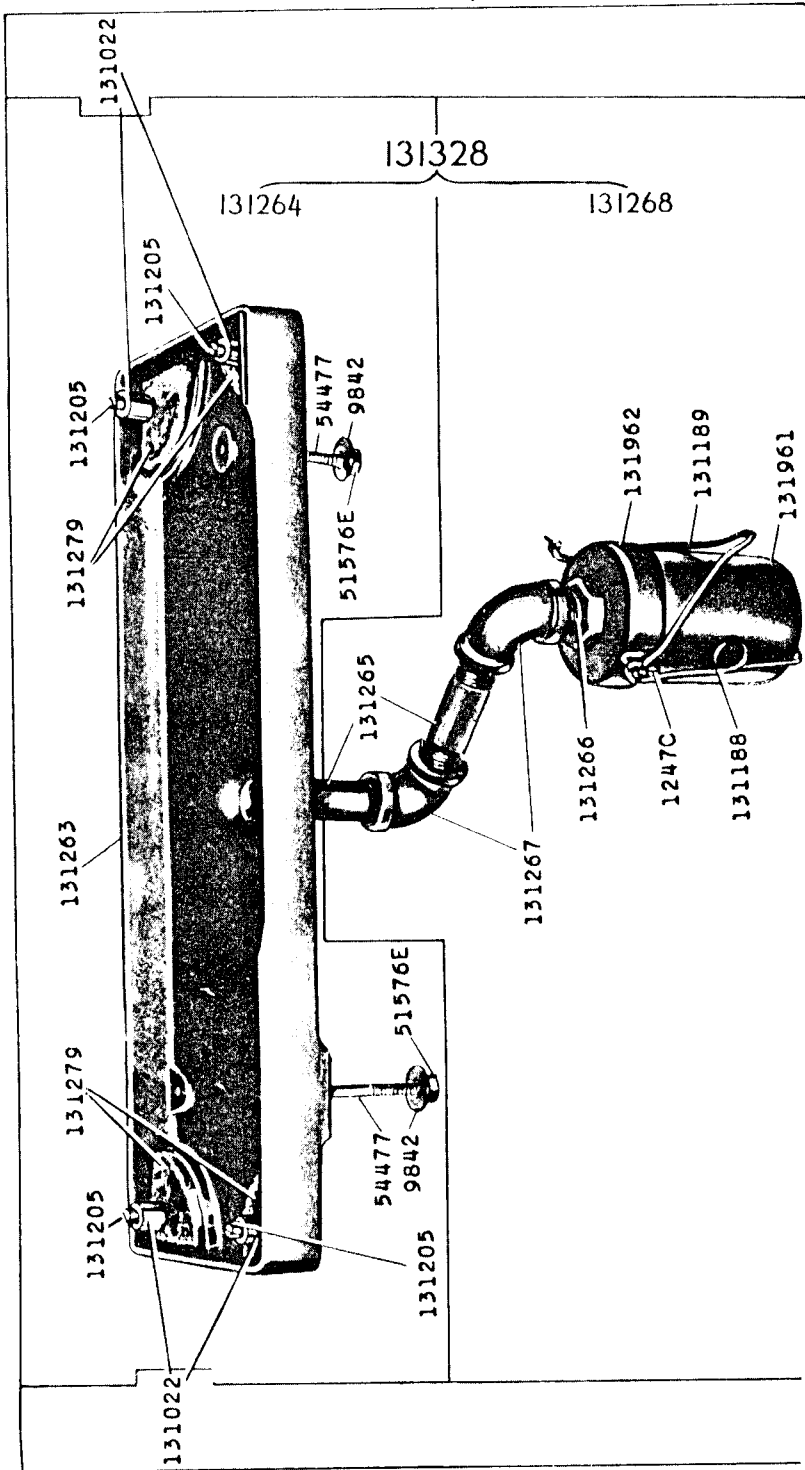
Needles in Containers marked  
"FOR SINGER MACHINES"  
are NOT **SINGER** made needles. 2



21032 - 1/4

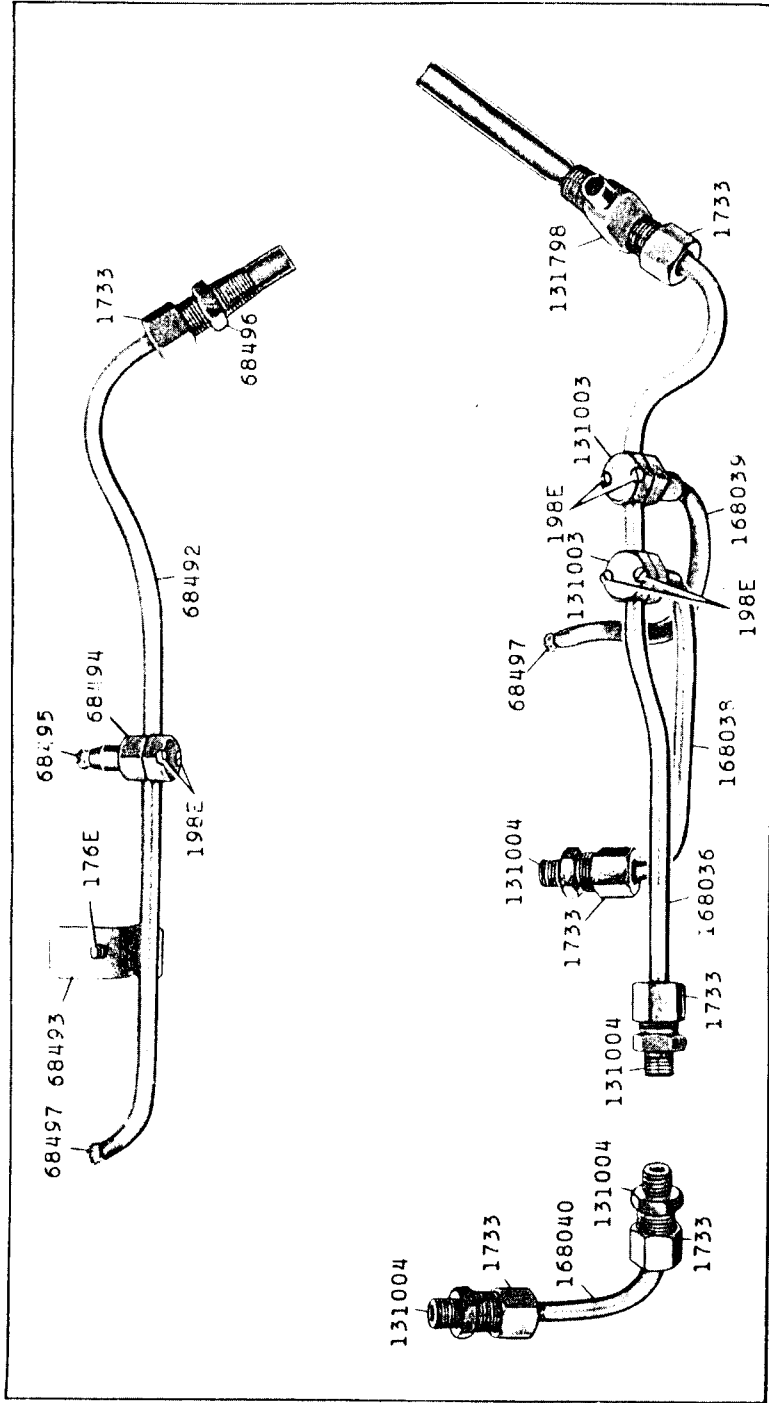


From the library of: Diamond Needle Corp

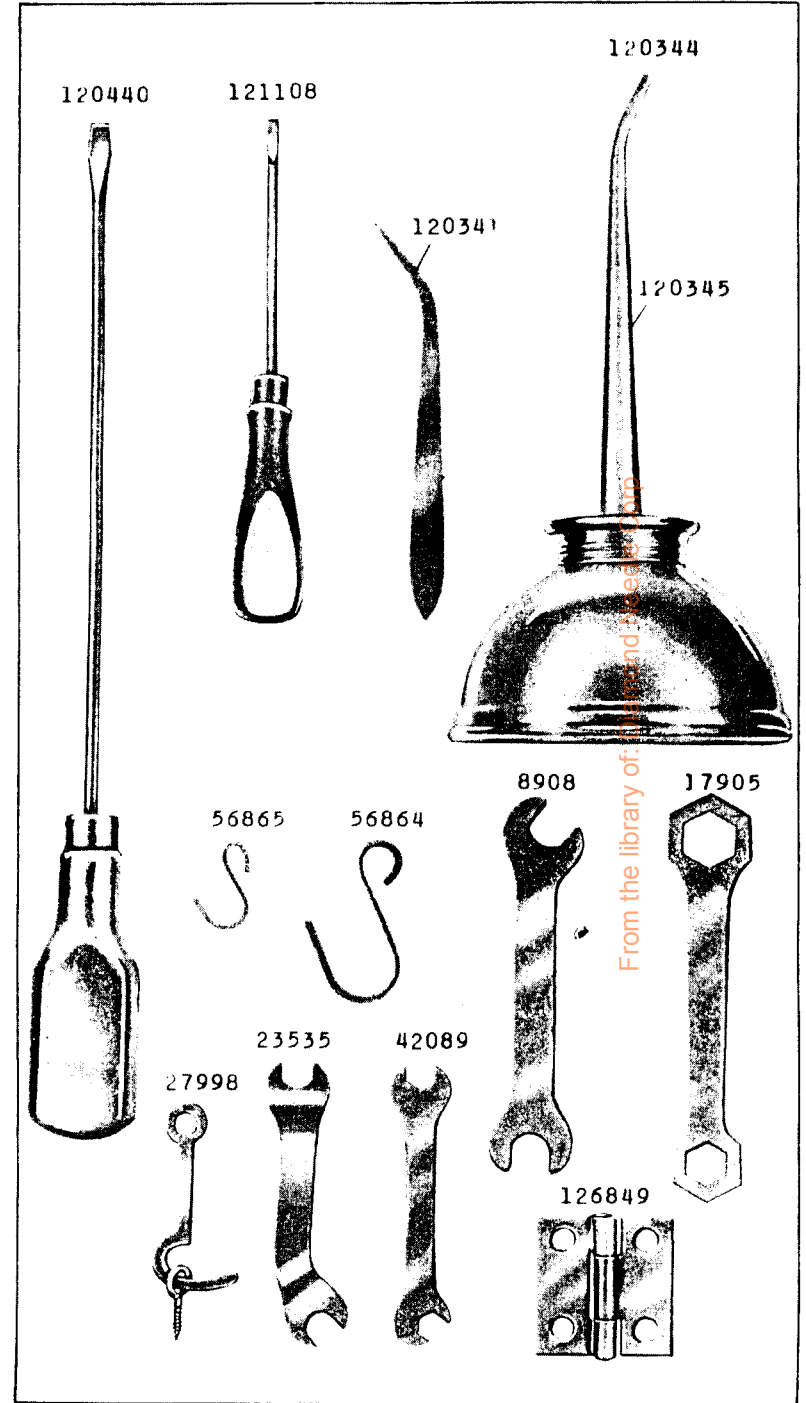


From the library of: Diamond Needle Corp.

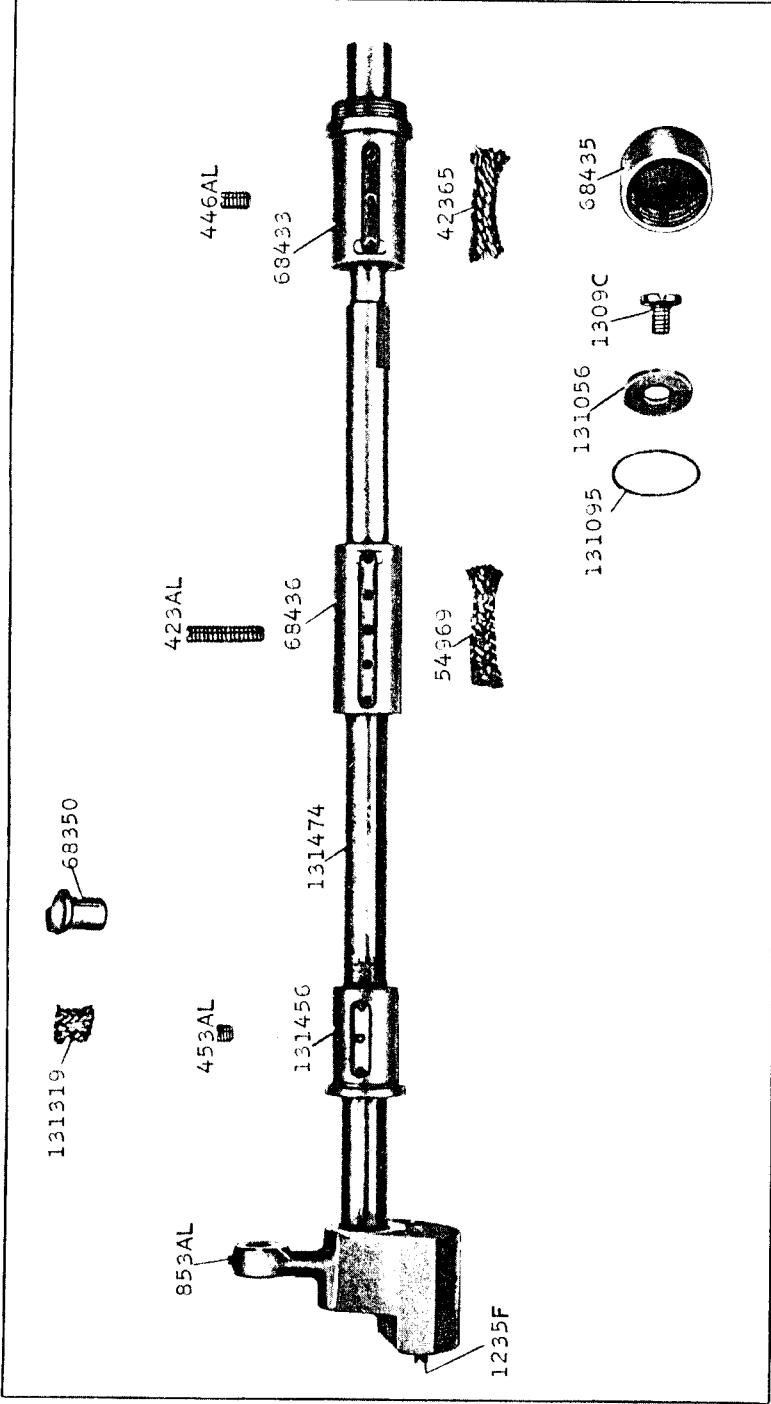
25562-1/2



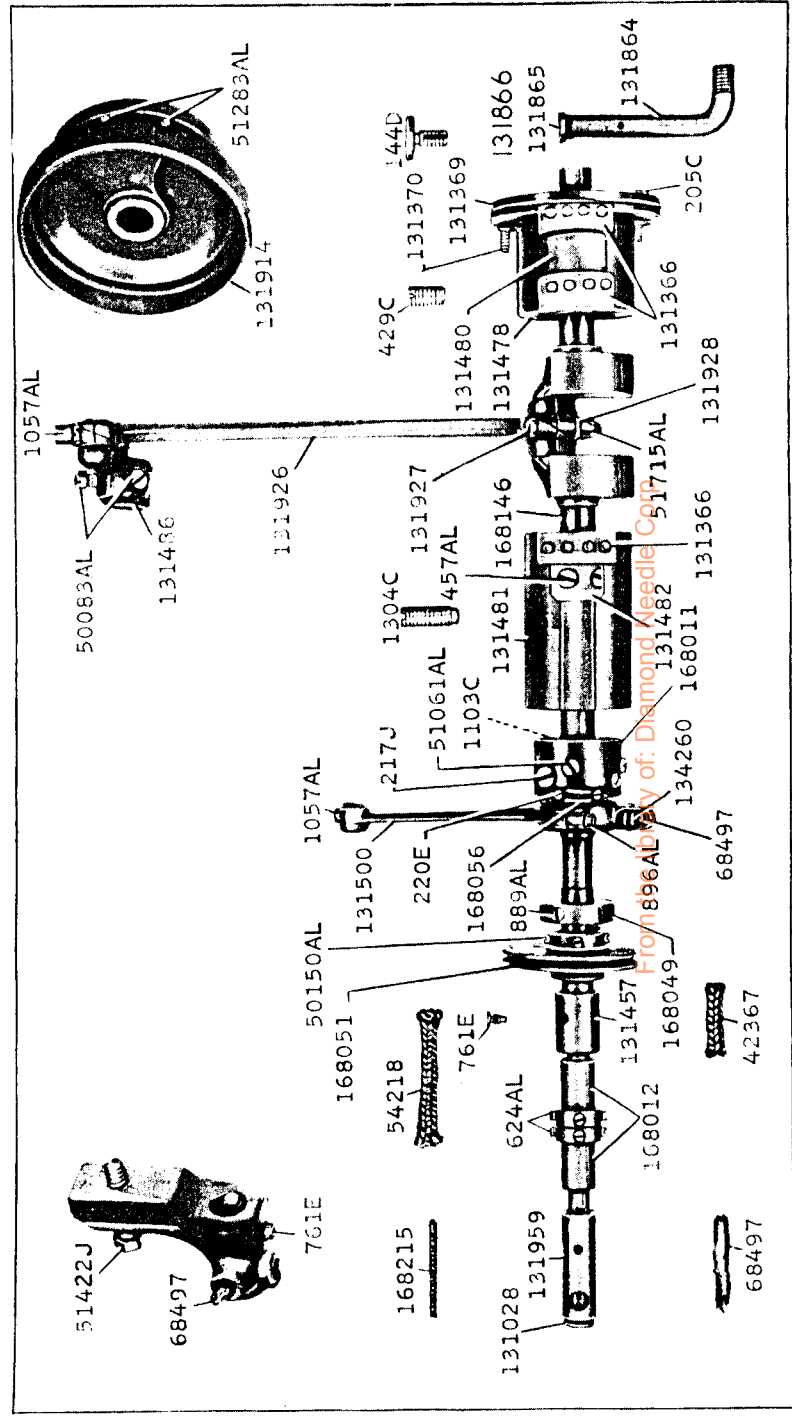
25571-1/2



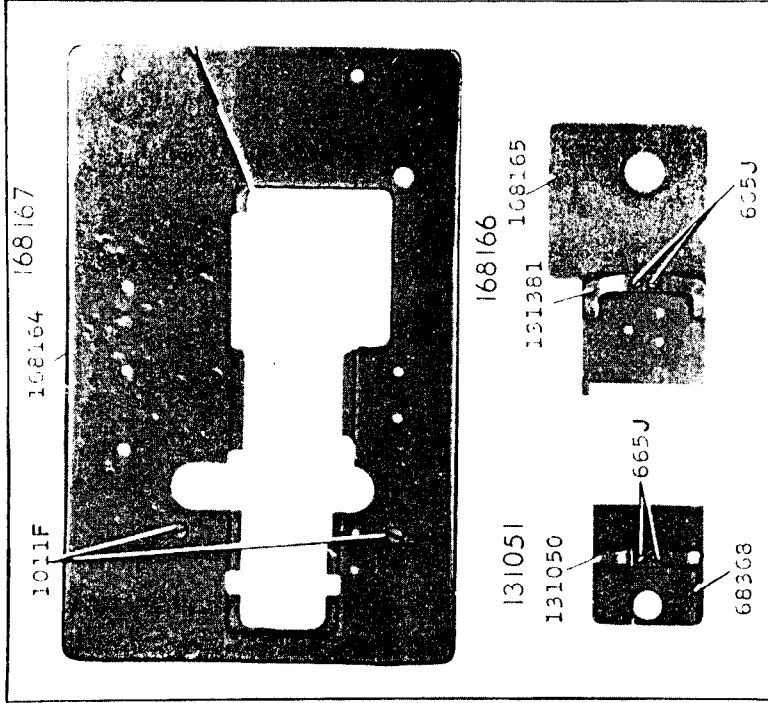
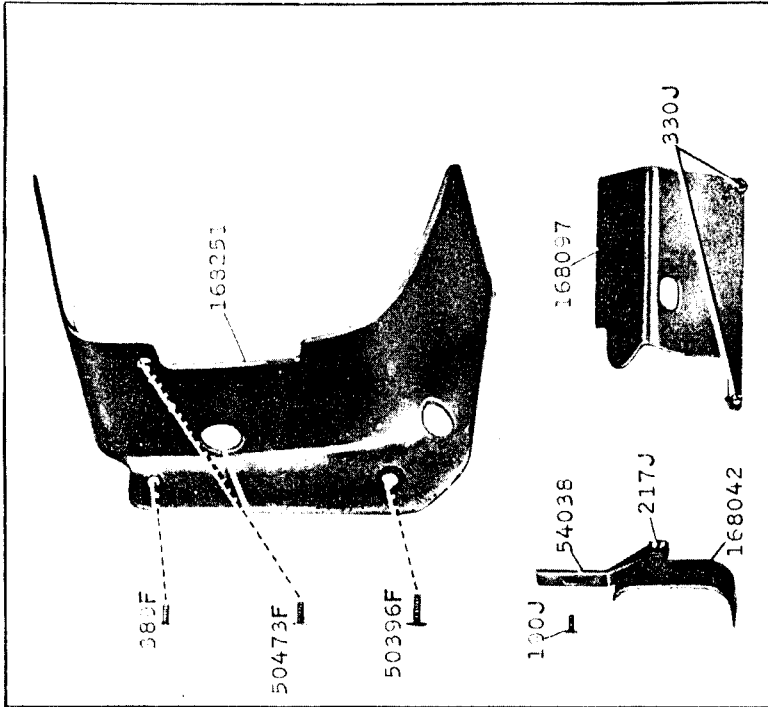
25597-1/2



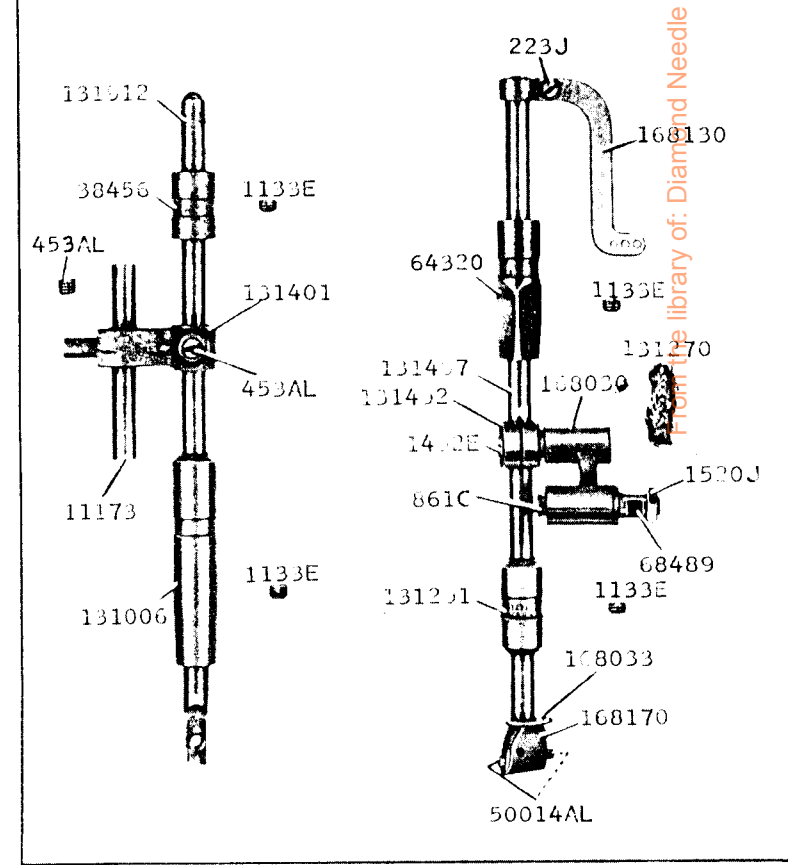
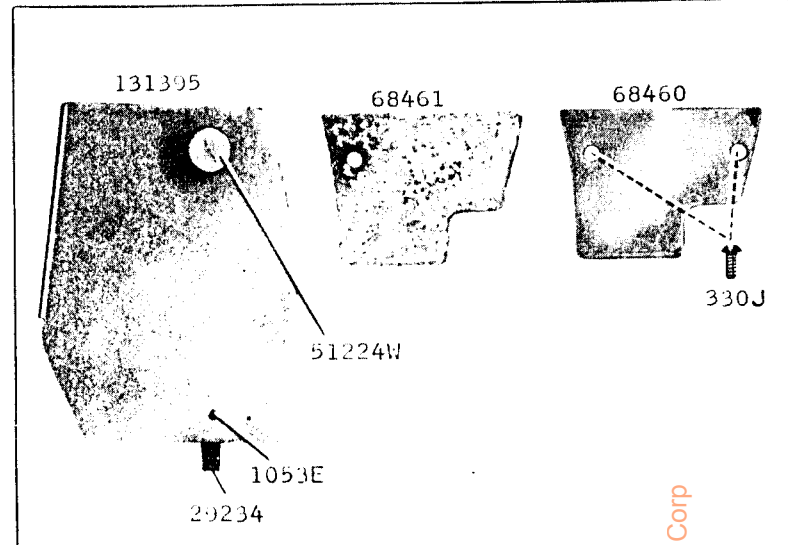
25598-1/3



25599.1/4

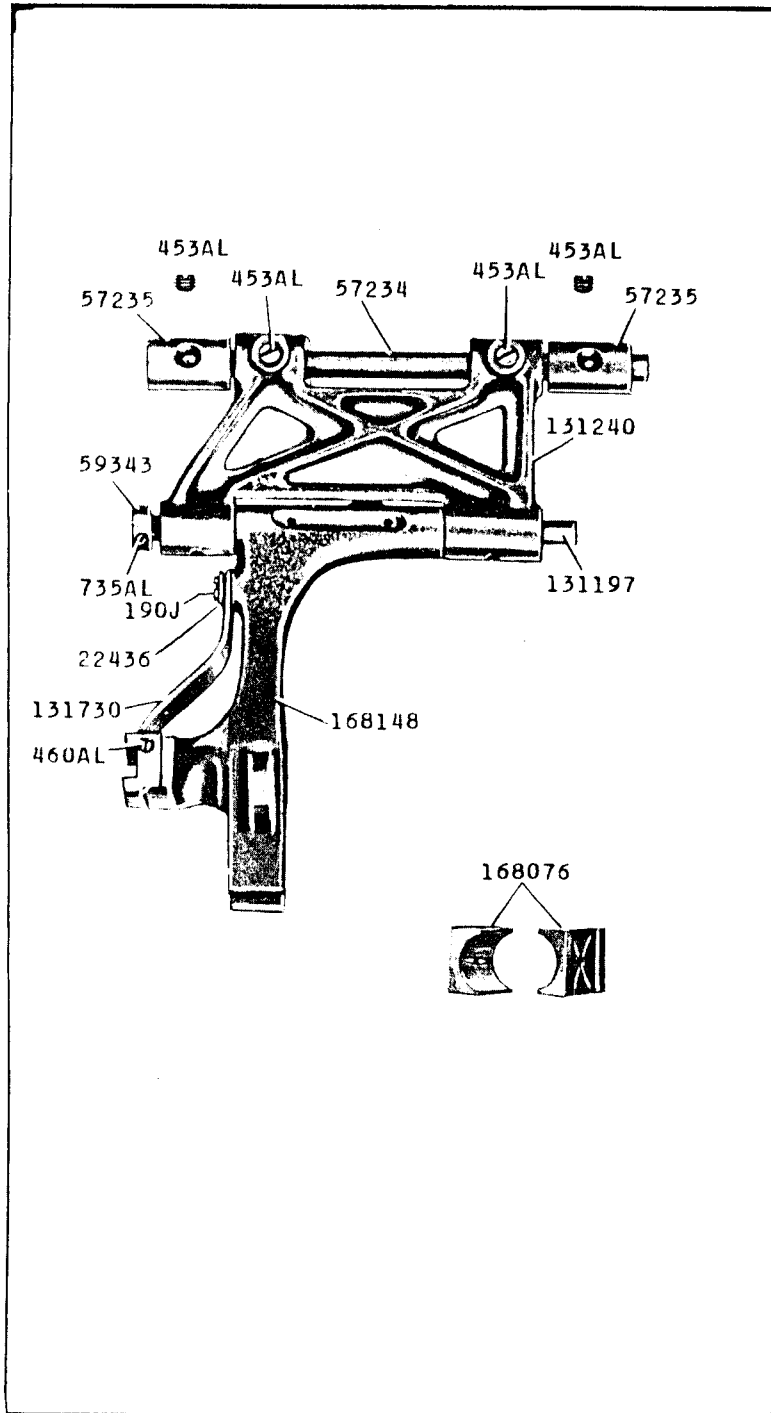


25600-1/2

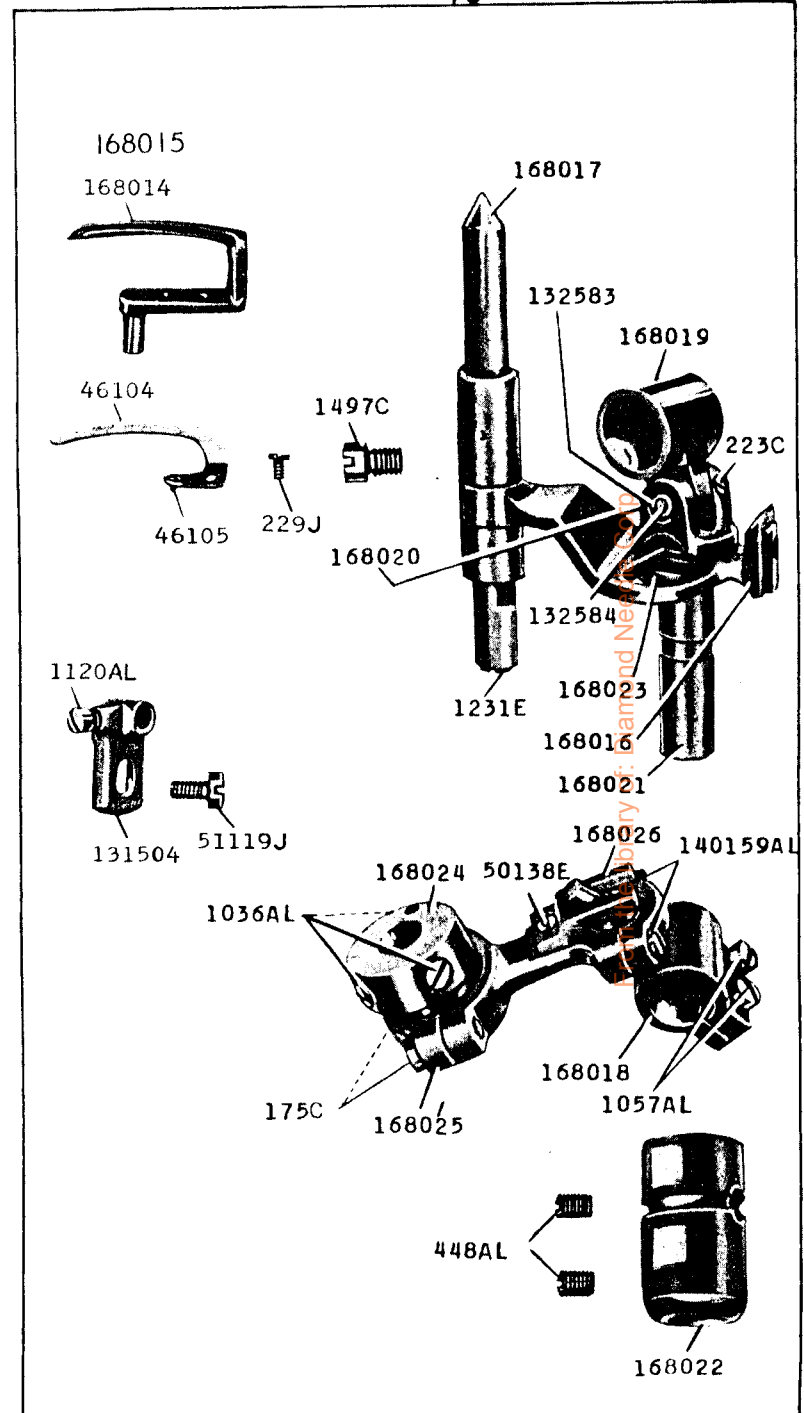


From the library of: Diamond Needle Corp

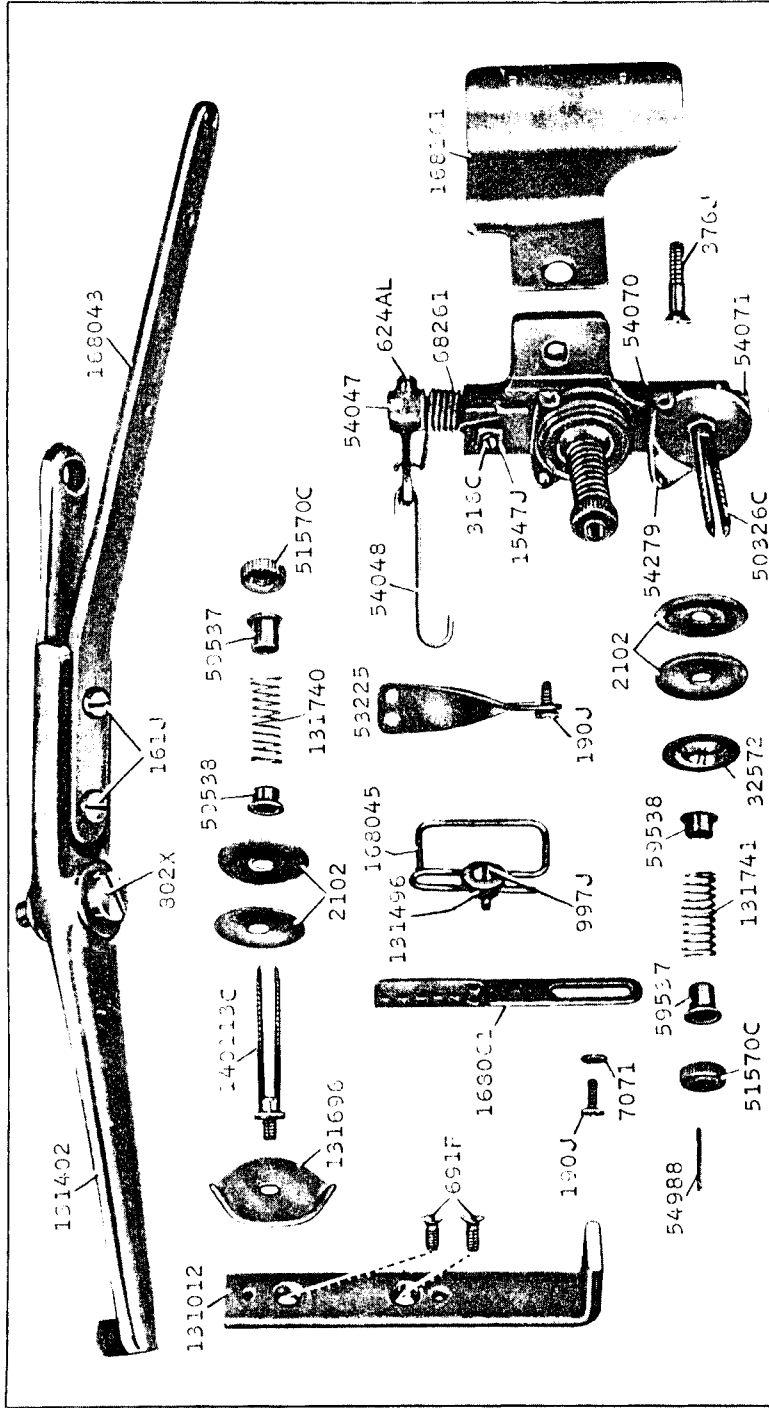
25601-1/2



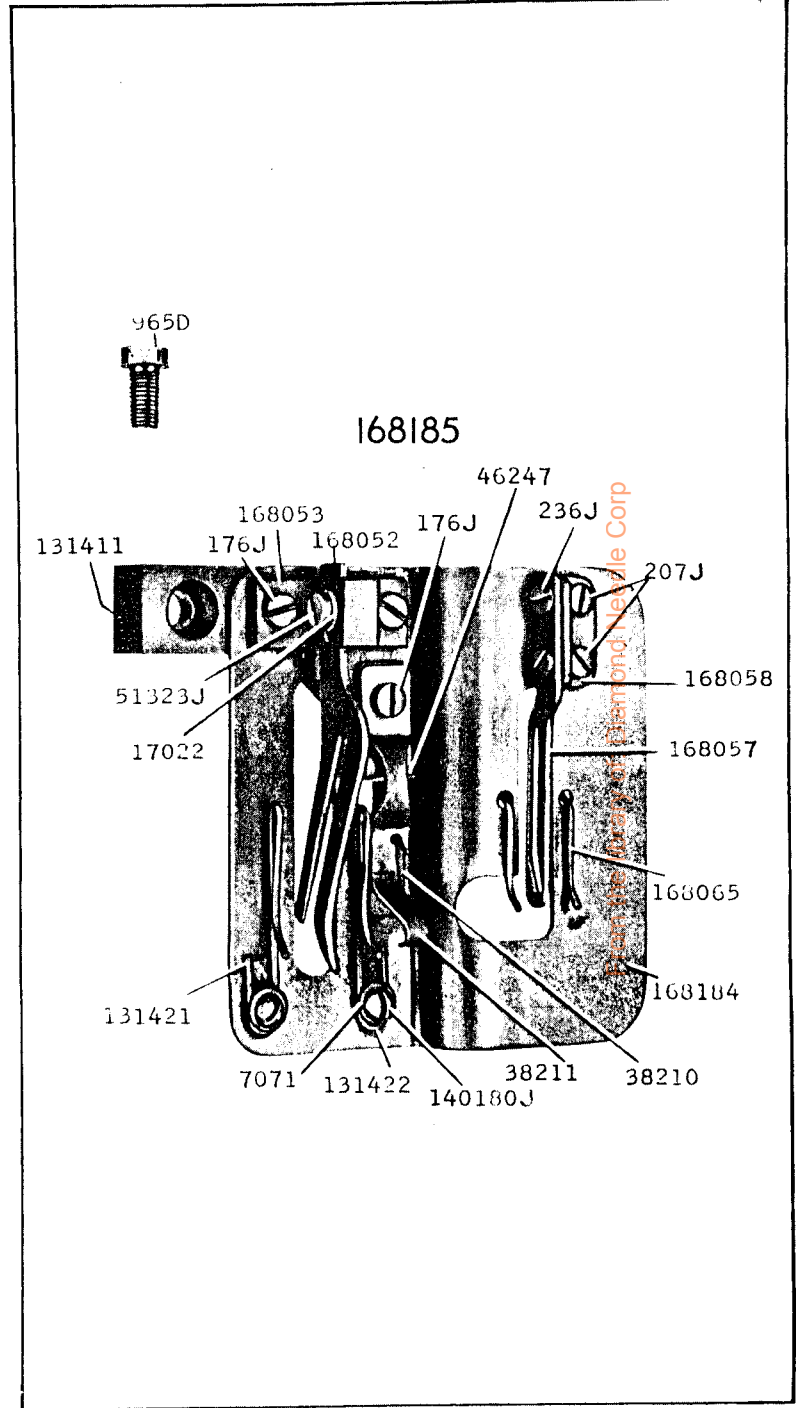
25602-2/3



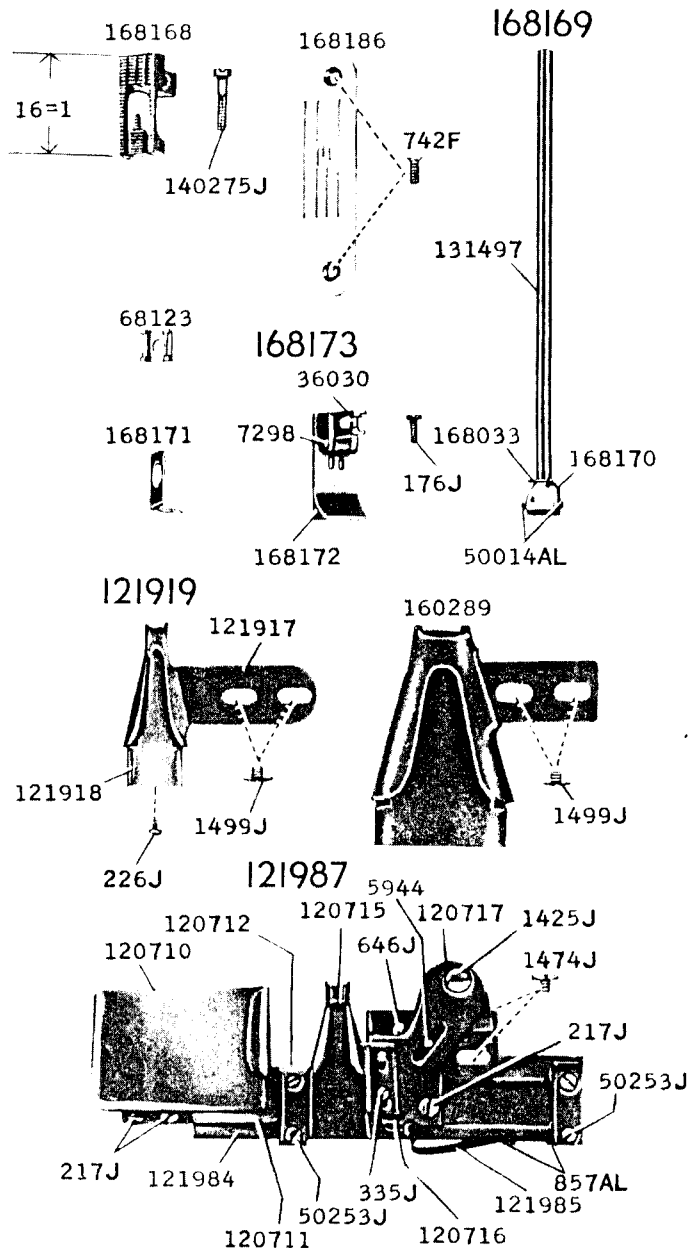
25603-1/2



25604-2/3

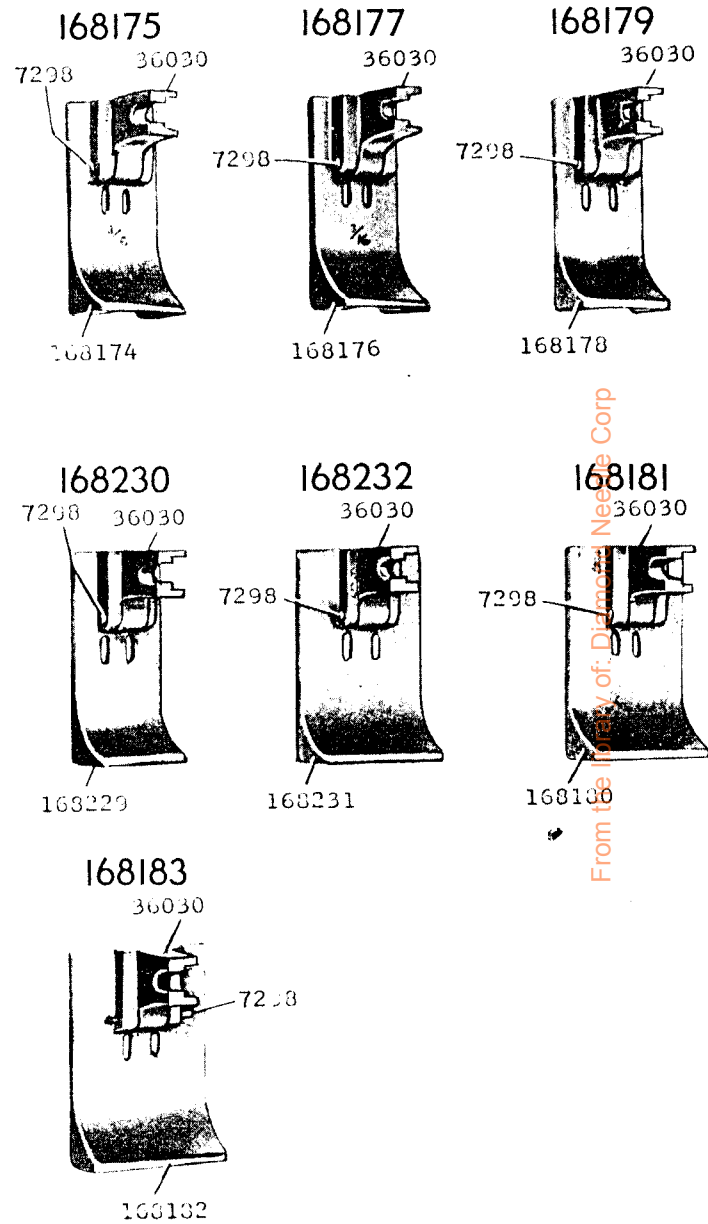


25605-1/3



3/16, 1/4

25606-2/3



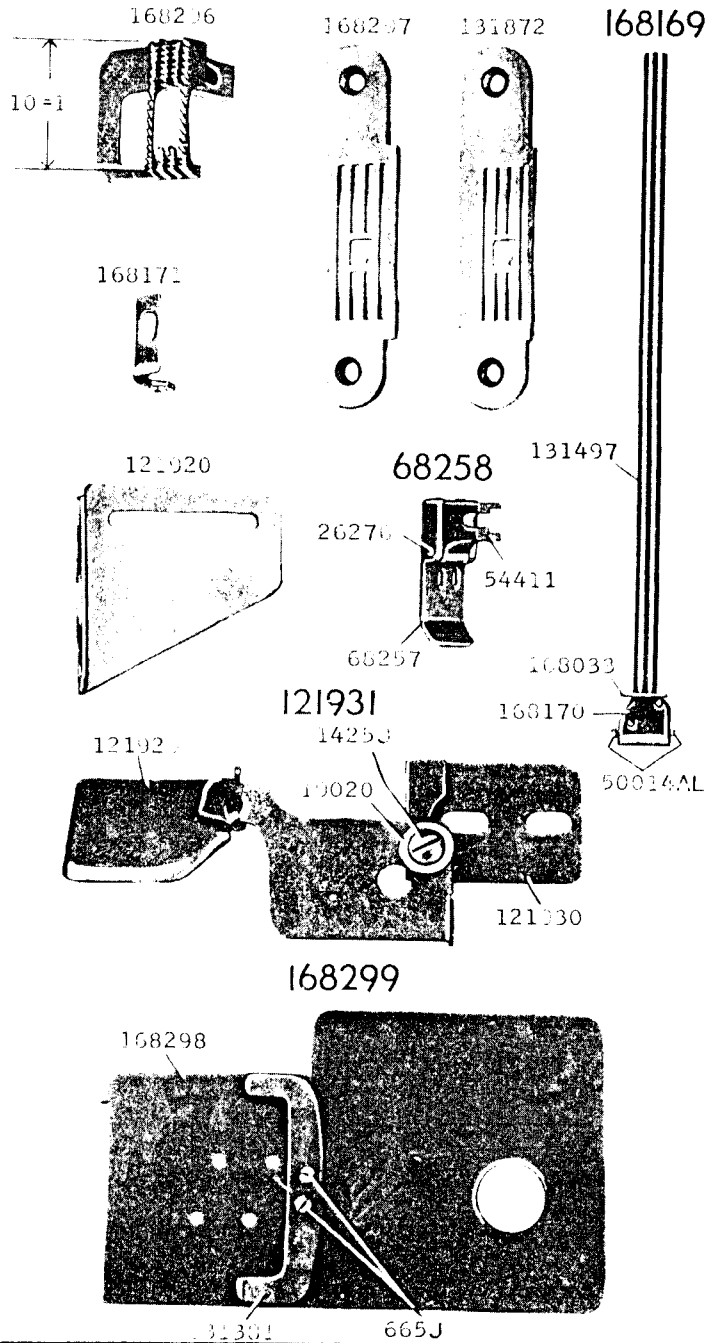
3/16, 1/4

From the Library of: Diamond Needle Corp

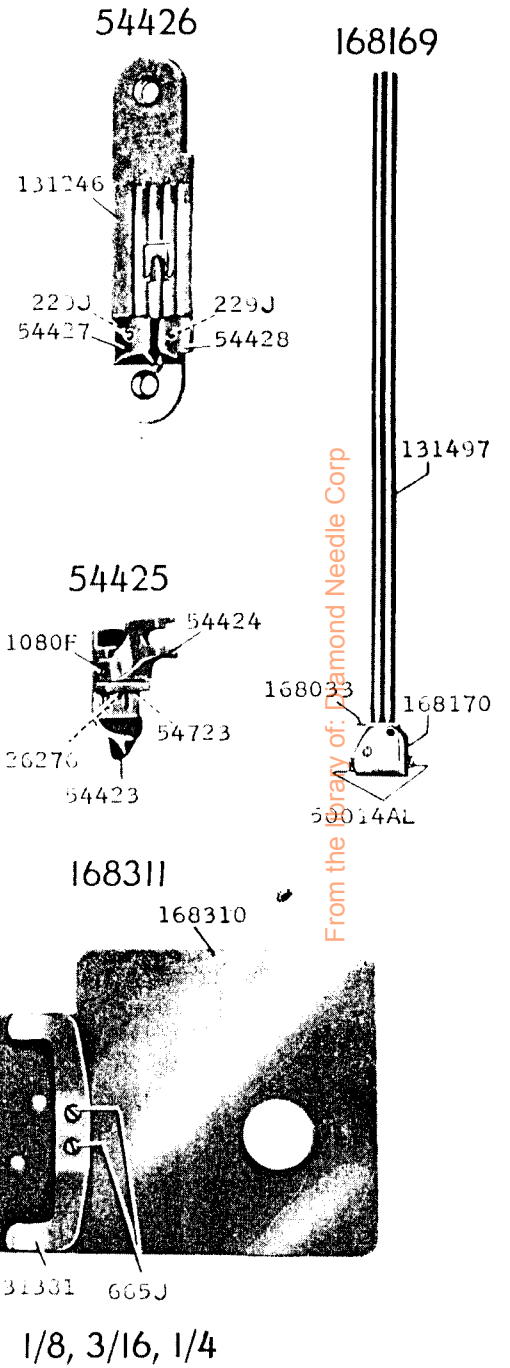


25607-1/2

3/16, 1/4

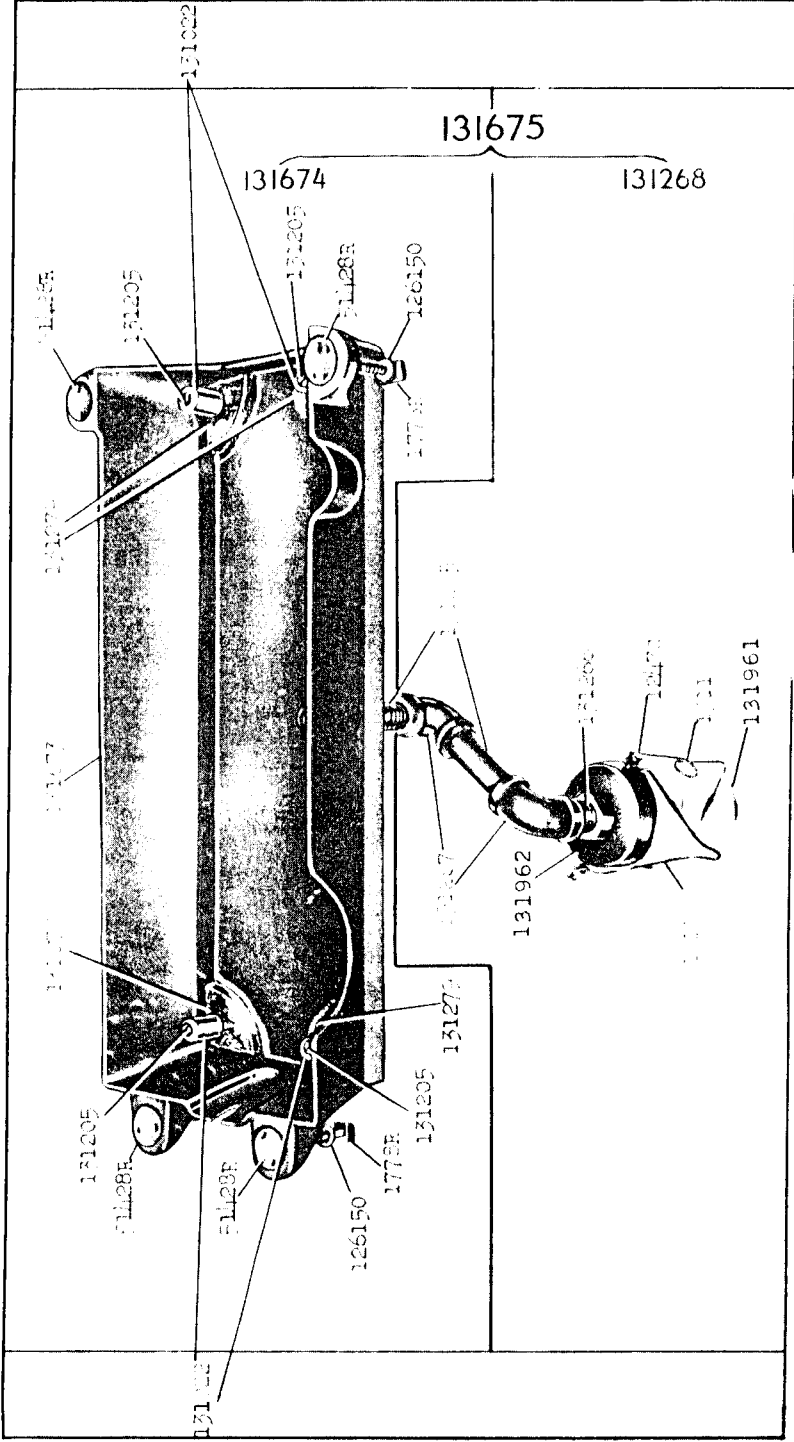


25608-1/2

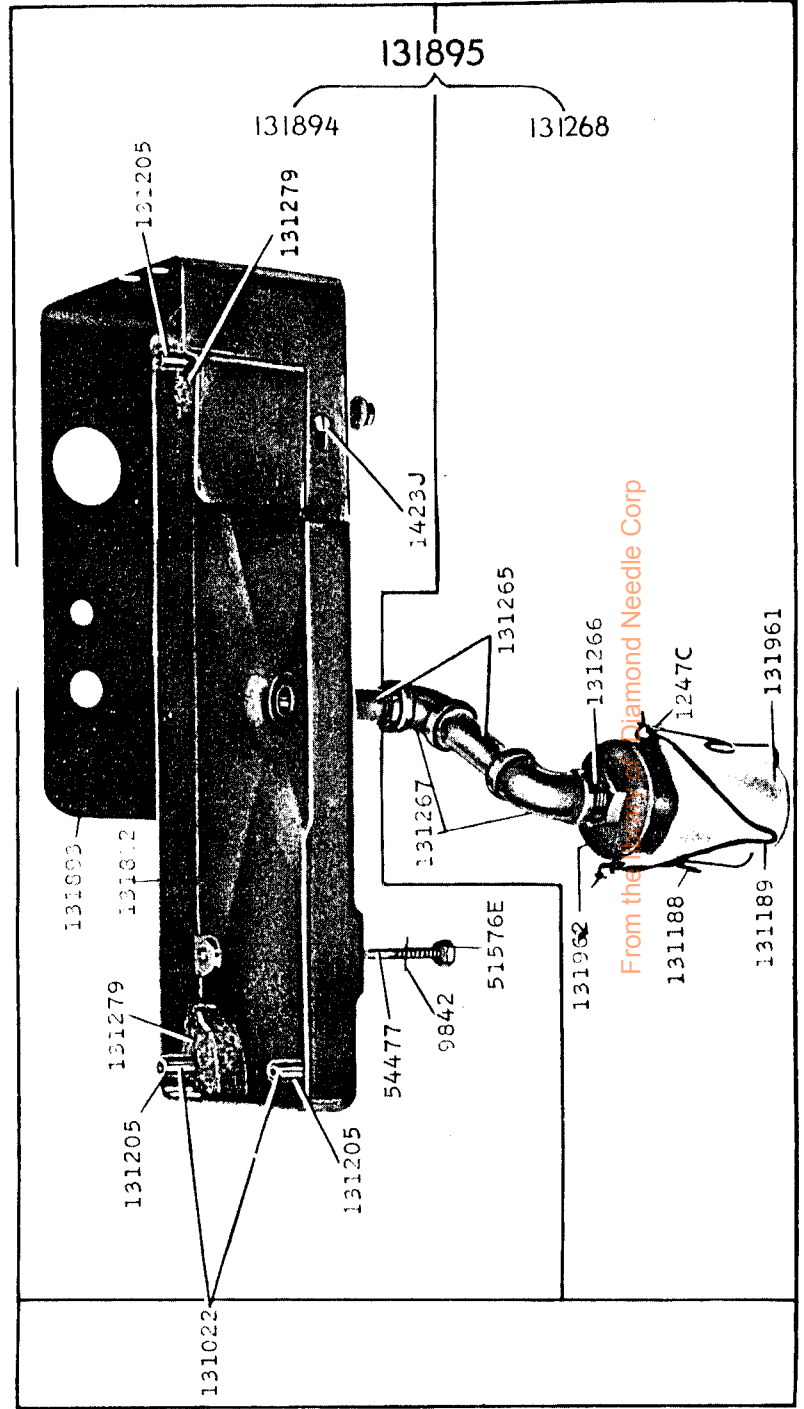


1/8, 3/16, 1/4

25609-1/4

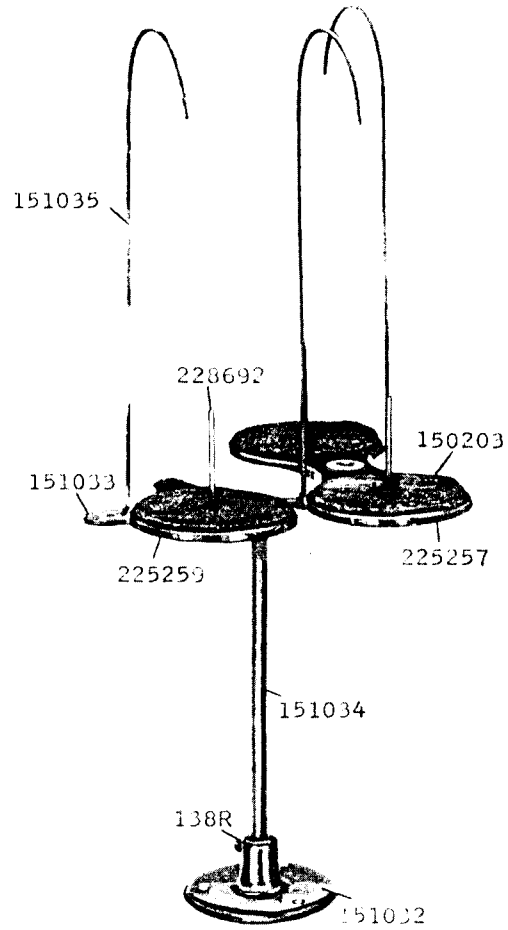


25610-1/4



25611-1/6

151036



From the library of: Diamond Needle Corp